



THE BENEFIT OF SR-02

The lowest levelised cost of electricity (LCOE) for PV deployment

Bankable PV technology with proven performance and exceptionally high ROI

Low depreciation and high resale value

Rapid, inexpensive installation: Basic system in less than 3 man-hours.

Minimal installation surface preparation

Deployable on flat roof top

Flexible form factor PV panel capability

Accessible panel surface for cleaning

Multiplication of system for utility scale development

Optional off grid battery system available



SR-02 Solar Tracker



COST EFFECTIVE SOLAR FOR RESIDENTIAL, COMMERCIAL AND UTILITY PV DEVELOPMENT

SR-02 includes a fully automated PV tracking system with a simple, reliable and elegant design to maximize the PV energy production. The tracking system provides a total PV energy production over a year cycle as much as double a typical, fixed, rooftop PV system. SR-02 features:

Structure

Light weight, high strength, anodized, aluminum alloy extruded beam structure

Stable, strong, triangular base

Single point base anchor

High torque, low speed, low power tracking mechanism

Low profile, "home" position for severe weather protection and service access

Variety of wheels for different surface conditions

Automation

Multiple, simplified system sensors for automatic PV panel alignment

Wireless access to controller

Simplified initial installation and set-up software

Graphical user interface for user control and performance monitoring



TRACKER SPECIFICATION

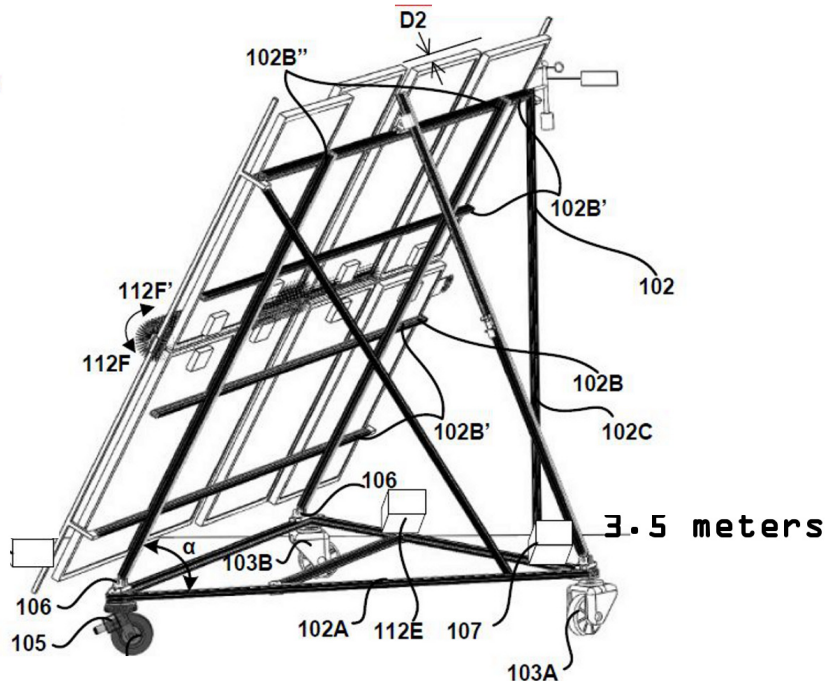
Tracking Type	Dual axis
Tracking Range	
Panel Tilting	Min-15 ; Max-75 degree
Panel Sweeping	240 degree
Tracking precision	~1 degree
Tracking Method	Manual or Automatic
Control Device	Android Smart Phone or Tablet
Drive Type	Wheel and linear Slide
Structure Material	Anodized Aluminum Alloy
	Light Weight, High Strength Extrusion
Drive Motor	12V DC
Tracker Power Consumption	1 W

INSTALLATION SPECIFICATION

Installation Site	Ground or leveled roof top
Site Preparation	Single Anchoring Pole, 1.5" diameter
PV Module Type	No restriction
Inverter Type	No restriction
Maximum 3-Second Wind Gust	40 meters / second (90 MPH), predictive wind stowing
Operating Temperature	(-)25 to +55 Degree
Impact Resistance	Hail 25.4mm (1in.) at 40m/s (90mph)

WARRANTIES AND CERTIFICATIONS

Warranties	25-year limited power warranty 10-year limited product warranty
Pending Certifications	IEC62108 PV qualification / IEC 62688 PV safety / UL 3703 PV listing





System Physical Dimension

Wing Span:	160"
Track Diameter	156"
Δ Base Side Length	117"
Wheel Size	10"



System Output †

Solar Panel	CS2P-260P (Canadian Solar, 60 cell, 260W)
No. of Panel	8
Total DC Power	2.08 KW
Daily Electricity Output	16 KWH (sun shine)



† The actual solar panel is selected by project design, and can be selected from various brands and models