

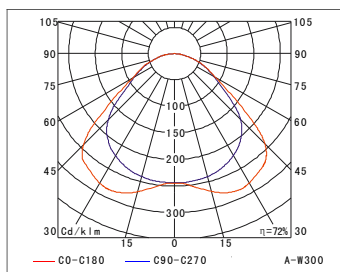
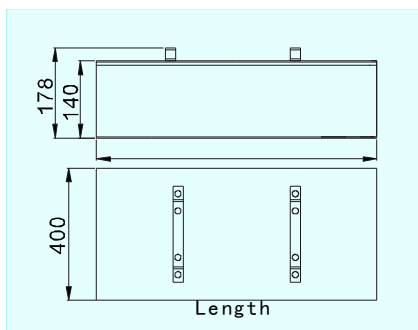
# Induction High Output Shoe Box / High Bay Fixture (UL Listed) 80W to 500W



## Features

- 1.Housing: Imported cold-rolled steel plate, static spraying surface
- 2.Reflector: High pure aluminum reflector, high light reflectivity, fade-proof in long term application.
- 3.Cover: imported high luminousness PC material
- 4.Light source: Can match with JY80~500J rectangle tubular lamp with its excellent Color Rendering Index and light efficiency, long life span, no flicker and energy saving, wide range of color temperature and soft light ,stable light output
- 5.Ballast: High pressure die casting aluminum ballast with powder coated finish for corrosion resistance
- 6.IP class:IP65 (ballast casing),IP33(fixture housing)
- 7.Application: Plant growing, Industrial factory, warehouse , indoor place etc

## Distribution curve flux



## Specifications

Model	Lamp	Power (W)	Voltage (V)	Power factor (COS φ)	Environ Temp (°C)	CCT (K)	Replace MH lamp	Length
-01W80	Y80J850W/Z	80	220(176-264)	≥0.96	-20~+40°C	5000K	150W	670
-01W100	Y100J850W/Z	100	220(176-264)	≥0.96	-20~+40°C	5000K	150W	670
-01W120	Y120J850W/Z	120	220(176-264)	≥0.96	-20~+40°C	5000K	175W	670
-01W150	Y150J850W/Z	150	220(176-264)	≥0.96	-20~+40°C	5000K	250W	670

Note: The products with CCT of 2700K~6500K and another input voltage are available. Installation device hook and roof mount box are available upon request.

# Induction High Output Shoe Box / High Bay Fixture (UL Listed) 80W to 500W

---

## Specifications

Model	Lamp	Power (W)	Voltage (V)	Power factor (COS $\phi$ )
02W200	Y200J850W/Z	200	120-277	> 0.96
02W250	Y250J850W/Z	250	120-277	> 0.96

Note: The products with CCT 2700K~6500K and another input voltage are available. Installation device hook and roof mount box are available upon request.

## Specifications

Model	Lamp	Power (W)	Voltage (V)	Power factor (COS $\phi$ )
03W300	Y300J850W	300	120-277	> 0.96

Note: The products with CCT 2700K~6500K and another input voltage are available. Installation device hook and roof mount box are available upon request.

## Specifications

Model	Lamp	Power (W)	Voltage (V)	Power factor (COS $\phi$ )
04W400	Y400J850W	400	120-277	> 0.96

Note: The products with CCT 2700K~6500K and another input voltage are available. Installation device hook and roof mount box are available upon request.

## Specifications

Model	Lamp	Power (W)	Voltage (V)	Power factor (COS $\phi$ )
05W500	Y500J850W	500	120-277	> 0.96

Note: The products with CCT 2700K~6500K and another input voltage are available. Installation device hook and roof mount box are available upon request.

## Rectangular Tube Induction Lamp and Ballast - Light Output

Power	Luminous efficiency (lm/W)	Initial luminous flux(lm)
40W	65-70	2600-2800
60W	65-70	3900-4200
80W	70-75	5600-6000
100W	75-80	7500-8000
120W	75-80	9000-9600
150W	75-80	11250-12000
200W	80-85	16000-17000
250W	80-85	20000-21250
300W	85-90	25500-27000
400W	85-90	34000-36000
500W	85-90	42500-45000

**Notes:**

Voltage: 120 to 277V

Color Temp: 2700 to 6500K

Color Rendering Index: >80

Lumen Maintenance: 70% after 60,000 Hours

Warranty: 5 Years

All Ballasts are UL Listed