



Eco-Smart, Inc.
 4411 Bee Ridge Rd. #344
 Sarasota, FL, 34233
 888-329-2705 ph
 941-377-9460 fx
www.eco-smart.com

INDUCTION LAMP AND BALLAST WHOLESALE PRICES

1. Rectangle tubular induction lamp with ballast



No	Power	luminous efficient(lm/w)	Color temperature choice	Color rendering index	Initial luminous flux(lm)	1<PCS<100	100<PCS<500	PCS>500
1	40W	65-70	2700-6500K	>80	2600-2800	US\$79.38	US\$75.60	US\$69.36
2	60W	65-70	2700-6500K	>80	3900-4200	US\$95.26	US\$90.72	US\$83.23
3	80W	70-75	2700-6500K	>80	5600-6000	US\$148.99	US\$141.89	US\$130.18
4	100W	75-80	2700-6500K	>80	7500-8000	US\$158.76	US\$151.20	US\$138.72
5	120W	75-80	2700-6500K	>80	9000-9600	US\$175.86	US\$167.48	US\$153.65
6	150W	75-80	2700-6500K	>80	11250-12000	US\$183.18	US\$174.46	US\$160.06
7	200W	80-85	2700-6500K	>80	16000-17000	US\$239.36	US\$227.96	US\$209.14
8	250W	80-85	2700-6500K	>80	20000-21250	US\$295.54	US\$281.46	US\$258.22
9	300W	85-90	2700-6500K	>80	25500-27000	US\$344.39	US\$327.99	US\$300.91
10	400W	85-90	2700-6500K	>80	34000-36000	US\$403.01	US\$383.81	US\$352.12
11	500W	85-90	2700-6500K	>80	42500-45000	US\$586.19	US\$558.28	US\$512.18

2.Round tubular induction lamp with ballast



No	Power	luminous efficient(lm/w)	Color temperature choice	Color rendering index	Initial luminous flux(lm)	1<PCS<100	100<PCS<500	PCS>500
1	40W	65-70	2700-6500K	>80	2600-2800	US\$79.38	US\$75.60	US\$69.36
2	60W	65-70	2700-6500K	>80	3900-4200	US\$95.26	US\$90.72	US\$83.23
3	80W	70-75	2700-6500K	>80	5600-6000	US\$148.99	US\$141.89	US\$130.18
4	100W	75-80	2700-6500K	>80	7500-8000	US\$158.76	US\$151.20	US\$138.72
5	120W	75-80	2700-6500K	>80	9000-9600	US\$175.86	US\$167.48	US\$153.65
6	150W	75-80	2700-6500K	>80	11250-12000	US\$183.18	US\$174.46	US\$160.06
7	200W	80-85	2700-6500K	>80	16000-17000	US\$239.36	US\$227.96	US\$209.14
8	250W	80-85	2700-6500K	>80	21500-22500	US\$295.54	US\$281.46	US\$258.22
9	300W	85-90	2700-6500K	>80	25500-27000	US\$344.39	US\$327.99	US\$300.91
10	400W	85-90	2700-6500K	>80	32000-34000	US\$403.01	US\$383.81	US\$352.12



3.Adjustable distribution round tubular induction lamp with ballast



No	Power	luminous efficient(lm/w)	Color temperature choice	Color rendering index	Initial luminous flux(lm)	1<PCS<100	100<PCS<500	PCS>500
1	40W	65-70	2700-6500K	>80	2600-2800	US\$90.62	US\$86.30	US\$79.17
2	60W	65-70	2700-6500K	>80	3900-4200	US\$112.35	US\$107.00	US\$98.17
3	80W	70-75	2700-6500K	>80	5600-6000	US\$173.41	US\$165.16	US\$151.52
4	100W	75-80	2700-6500K	>80	7500-8000	US\$183.18	US\$174.46	US\$160.06
5	120W	75-80	2700-6500K	>80	9000-9600	US\$200.28	US\$190.74	US\$174.99
6	150W	75-80	2700-6500K	>80	11250-12000	US\$207.61	US\$197.72	US\$181.40
7	200W	80-85	2700-6500K	>80	16000-17000	US\$263.79	US\$251.22	US\$230.48
8	250W	80-85	2700-6500K	>80	20000-21250	US\$319.96	US\$304.73	US\$279.56
9	300W	80-85	2700-6500K	>80	25500-27000	US\$368.81	US\$351.25	US\$322.25
10	400W	80-85	2700-6500K	>80	32000-34000	US\$417.66	US\$397.77	US\$364.93

4.Ball type induction lamp with ballast



No	Power	luminous efficient(lm/w)	Color temperature choice	Color rendering index	Initial luminous flux(lm)	1<PCS<100	100<PCS<500	PCS>500
1	60W	65-70	2700-6500K	>80	3900-4200	US\$95.26	US\$90.72	US\$83.23
2	80W	70-75	2700-6500K	>80	5600-6000	US\$148.99	US\$141.89	US\$130.18
3	100W	75-80	2700-6500K	>80	7500-8000	US\$183.18	US\$174.46	US\$160.06

Freight: quoted

UL Listed

Warranty: 5 years

Terms: Prepaid

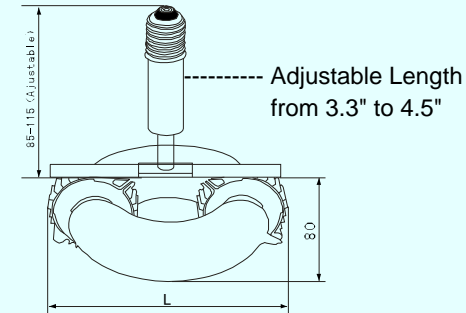
Remote Ballasted Induction Lamps and Ballasts Screw-Based Lamp Specifications



ADJUSTABLE DISTRIBUTION INDUCTION LAMP E27(E26)/E40(E39) 40-300W



Lamp size (Unit: mm)



Lamp's technical parameters

Model	Warranty	Power (W)	Operating Frequency (KHZ)	Initial flux (LM)	Lumen efficiency (LM/W)	CCT (K)	CRI (Ra)	Lumen maintenance at 56,000 hours	Avg life-time (H)	Outer diameter (mm)
Y40H850W/E27	5YR	40W	250	2600-2800	65-70	5000	>80	>70%	100,000	165
Y60H850W/E27	5YR	60W	250	3900-4200	65-70	5000	>80	>70%	100,000	165
Y80H850W/E40	5YR	80W	250	5600-6000	70-75	5000	>80	>70%	100,000	245.5
Y100H850W/E40	5YR	100W	250	75000-8000	75-80	5000	>80	>70%	100,000	245.5
Y120H850W/E40	5YR	120W	250	9000-9600	75-80	5000	>80	>70%	100,000	305.7
Y150H850W/E40	5YR	150W	250	11250-12000	75-80	5000	>80	>70%	100,000	336
Y200H850W/E40	5YR	200W	250	16000-17000	80-85	5000	>80	>70%	100,000	346
Y250H850W/E40	5YR	250W	250	21500-22500	85-90	5000	>80	>70%	100,000	376
Y300H850W/E40	5YR	300W	250	25500-27000	85-90	5000	>80	>70%	100,000	415

Note: 1. The products listed in the table are common products with conventional CCT, another CCT (2700-6500K) or color (red, green, blue) products are available upon request.

2. Operating surrounding temperature is 0°C ~ +50°C (without fixture, or with open fixture).

3. Operating surrounding temperature is -20°C ~ +50°C (with enclosed fixture).

4. Products for operating at special surrounding temperature (-40°C ~ 0°C) are available upon request. □

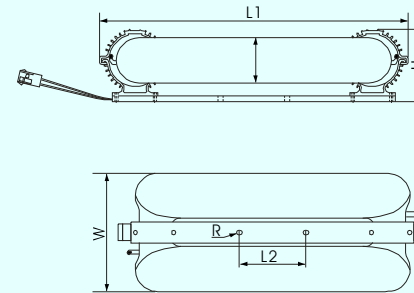
5. The lamp with E26 or E39 base is available upon request

Remote Ballasted Induction Lamps and Ballasts Rectangular Lamp Specifications

RECTANGLE TUBULAR INDUCTION LAMP JW SERIES (40-500W)



Lamp size (Unit: mm)



Lamp's technical parameters

Model	Warranty	Power (W)	Operating Frequency (KHZ)	Initial flux (LM)	Lumen efficiency (LM/W)	CCT (K)	CRI (Ra)	Lumen maintenance at 56,000 hours	Avg life-time (H)
Y40J840W38	5YR	40	250	2600-2800	65-70	4000	>80	>70%	100,000
Y40J850W38	5YR	40	250	2600-2800	65-70	5000	>80	>70%	100,000
Y60J840W38	5YR	60	250	3900-4200	65-70	4000	>80	>70%	100,000
Y60J850W38	5YR	60	250	3900-4200	65-70	5000	>80	>70%	100,000
Y80J840W	5YR	80	250	5600-6000	70-75	4000	>80	>70%	100,000
Y80J850W	5YR	80	250	5600-6000	70-75	5000	>80	>70%	100,000
Y100J840W	5YR	100	250	7500-8000	75-80	4000	>80	>70%	100,000
Y100J850W	5YR	100	250	7500-8000	75-80	5000	>80	>70%	100,000
Y120J840W	5YR	120	250	9000-9600	75-80	4000	>80	>70%	100,000
Y120J850W	5YR	120	250	9000-9600	75-80	5000	>80	>70%	100,000
Y150J840W	5YR	150	250	11250-12000	75-80	4000	>80	>70%	100,000
Y150J850W	5YR	150	250	11250-12000	75-80	5000	>80	>70%	100,000

Remote Ballasted Induction Lamps and Ballasts Rectangular Lamp Specifications

RECTANGLE TUBULAR INDUCTION LAMP JW SERIES (40-500W)



Lamp's technical parameters

Model	Warranty	Power (W)	Operating Frequency (KHZ)	Initial flux (LM)	Lumen efficiency (LM/W)	CCT (K)	CRI (Ra)	Lumen maintenance at 56,000 hours	Avg life-time (H)
IY200J840W58	5YR	200	250	16000-17000	80-85	4000	>80	>70%	100,000
IY200J850W58	5YR	200	250	16000-17000	80-85	5000	>80	>70%	100,000
IY250J840W58	5YR	250	250	20000-21250	80-85	4000	>80	>70%	100,000
IY250J850W58	5YR	250	250	20000-21250	80-85	5000	>80	>70%	100,000
IY300J840W58	5YR	300	250	25500-27000	85-90	4000	>80	>70%	100,000
IY300J850W58	5YR	300	250	25500-27000	85-90	5000	>80	>70%	100,000
IY400J840W58	5YR	400	250	34000-36000	85-90	4000	>80	>70%	100,000
IY400J850W58	5YR	400	250	34000-36000	85-90	5000	>80	>70%	100,000
IY500J840W58	5YR	500	250	42500-45000	85-90	4000	>80	>70%	100,000
IY500J850W58	5YR	500	250	42500-45000	85-90	5000	>80	>70%	100,000

- Note:** 1. The products listed in the table are common products with conventional CCT, another CCT (2700-6500K) or color (red, green, blue) products are available upon request.
 2. Operating surrounding temperature is -20°C ~ +50°C (with enclosed fixture).
 3. Products for operating at special surrounding temperature (-40°C ~ 0°C or -40°C ~ +20°C) are available upon request.

Lamp's dimensions

Name	Mark	40W	60W	80W	100W	120W	150W	200W	250W	300W	400W	500W
Tube diameter	φ	38	38	54	54	54	54	58	58	58	58	58
Lamp length	L1	192	192	290	290	330	370	450	490	590	840	1040
Lamp width	W	106	106	144	144	144	144	152	152	172	176	176
Lamp height	H	65	65	80	80	80	80	80	80	95	95	95
Spacing of open holes	L2	45	45	249	249	289	329	409	449	573	763	1023

Remote Ballasted Induction Lamps and Ballasts Ballast Specifications

ELECTRONIC BALLAST FOR INDUCTION LAMP (40-500W)



Electronic ballast technical parameter

Model	Power (W)	Shell material	Input voltage (V)	Frequency (Hz)	THD	Power factor()	Allowable case temp(°C)
IY40DW/X1	40	Aluminum Profile	120-277V	50/60	≤10%	≥0.96	≤70
IY60DW/X1	60	Aluminum Profile	120-277V	50/60	≤10%	≥0.96	≤70
IY80DW/X1	80	Aluminum Profile	120-277V	50/60	≤10%	≥0.96	≤70
IY100DW/X1	100	Aluminum Profile	120-277V	50/60	≤10%	≥0.96	≤70
IY120DW/X1	120	Aluminum Profile	120-277V	50/60	≤10%	≥0.96	≤70
IY150DW/X1	150	Aluminum Profile	120-277V	50/60	≤10%	≥0.96	≤70
IY200DW/X1	200	Aluminum Profile	120-277V	50/60	≤10%	≥0.96	≤70
IY250DW/X2	250	Aluminum Profile	120-277V	50/60	≤10%	≥0.96	≤70
IY200DW/Y1	200	Die casting aluminum	120-277V	50/60	≤10%	≥0.96	≤70
IY250DW/Y1	250	Die casting aluminum	120-277V	50/60	≤10%	≥0.96	≤70
IY300DW/Y1	300	Die casting aluminum	120-277V	50/60	≤10%	≥0.96	≤70
IY400DW/Y1	400	Die casting aluminum	120-277V	50/60	≤10%	≥0.96	≤70
IY500DW/Y1	500	Die casting aluminum	120-277V	50/60	≤10%	≥0.96	≤70

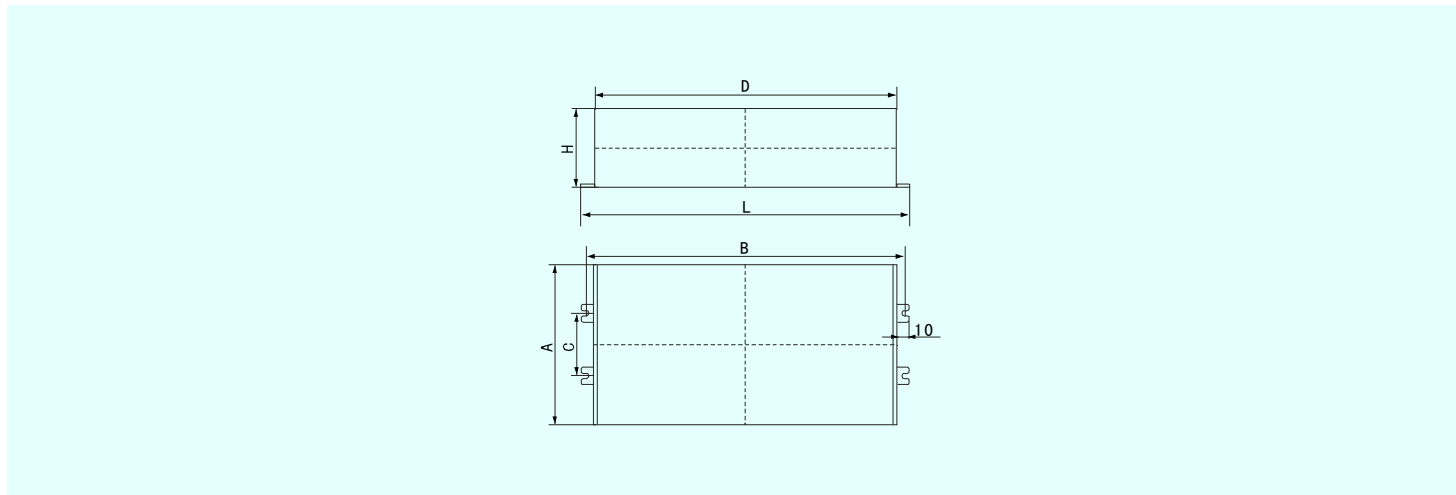
Electronic ballast dimensions (Aluminum Profile)



Power (W)	Size (mm)					
	A	B	C	D	H	L
40/60	105	117	50	105	50	127
80/100/120	105	175	50	163	50	185
150/200	105	200	50	188	50	210
250	128	255	50	243	65	265

Remote Ballasted Induction Lamps and Ballasts Ballast Specifications

ELECTRONIC BALLAST FOR INDUCTION LAMP (40-500W)



Electronic ballast dimensions (Die casting aluminum)

