

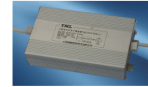


Eco-Smart, Inc.
 4411 Bee Ridge Rd. #344
 Sarasota, FL 34233
 888-329-2705 ph / 941-377-9460 fx
www.eco-smart.com

Induction Lamp and Ballast Wholesale Prices - Remote Ballast (UL Listed)

Updated September 3, 2010

1. Rectangular Tube Induction Lamp and Ballast



| Power | Luminous efficiency (lm/W) | Initial luminous flux(lm) | Qty | Qty | Qty |
|-------|----------------------------|---------------------------|----------|----------|----------|
| | | | 5 to 9 | 10 to 99 | 100+ |
| 40W | 65-70 | 2600-2800 | \$139.90 | \$95.71 | \$81.24 |
| 60W | 65-70 | 3900-4200 | \$158.52 | \$112.64 | \$96.17 |
| 80W | 70-75 | 5600-6000 | \$204.55 | \$154.49 | \$133.06 |
| 100W | 75-80 | 7500-8000 | \$212.92 | \$162.10 | \$139.77 |
| 120W | 75-80 | 9000-9600 | \$227.57 | \$175.41 | \$151.51 |
| 150W | 75-80 | 11250-12000 | \$233.85 | \$181.12 | \$156.54 |
| 200W | 80-85 | 16000-17000 | \$281.97 | \$224.87 | \$195.11 |
| 250W | 80-85 | 20000-21250 | \$330.09 | \$268.62 | \$233.68 |
| 300W | 85-90 | 25500-27000 | \$371.94 | \$306.66 | \$267.22 |
| 400W | 85-90 | 34000-36000 | \$422.15 | \$352.31 | \$307.46 |
| 500W | 85-90 | 42500-45000 | \$579.08 | \$494.97 | \$433.23 |

Round Tube Induction Lamp and Ballast



| Power | Luminous efficiency (lm/W) | Initial luminous flux(lm) | Qty | Qty | Qty |
|-------|----------------------------|---------------------------|----------|----------|----------|
| | | | 5 to 9 | 10 to 99 | 100+ |
| 40W | 65-70 | 2600-2800 | \$139.90 | \$95.71 | \$81.24 |
| 60W | 65-70 | 3900-4200 | \$158.52 | \$112.64 | \$96.17 |
| 80W | 70-75 | 5600-6000 | \$204.55 | \$154.49 | \$133.06 |
| 100W | 75-80 | 7500-8000 | \$212.92 | \$162.10 | \$139.77 |
| 120W | 75-80 | 9000-9600 | \$227.57 | \$175.41 | \$151.51 |
| 150W | 75-80 | 11250-12000 | \$233.85 | \$181.12 | \$156.54 |
| 200W | 80-85 | 16000-17000 | \$281.97 | \$224.87 | \$195.11 |
| 250W | 80-85 | 21500-22500 | \$330.09 | \$268.62 | \$233.68 |
| 300W | 85-90 | 25500-27000 | \$371.94 | \$306.66 | \$267.22 |

Round Tube Induction Lamp and Ballast (Screw Base)



| Power | Luminous efficiency (lm/W) | Initial luminous flux(lm) | Qty | Qty | Qty |
|-------|----------------------------|---------------------------|----------|----------|----------|
| | | | 5 to 9 | 10 to 99 | 100+ |
| 40W | 65-70 | 2600-2800 | \$154.55 | \$109.03 | \$92.98 |
| 60W | 65-70 | 3900-4200 | \$173.17 | \$125.96 | \$107.91 |
| 80W | 70-75 | 5600-6000 | \$225.48 | \$173.51 | \$149.83 |
| 100W | 75-80 | 7500-8000 | \$233.85 | \$181.12 | \$156.54 |
| 120W | 75-80 | 9000-9600 | \$248.49 | \$194.43 | \$168.28 |
| 150W | 75-80 | 11250-12000 | \$254.77 | \$200.14 | \$173.31 |
| 200W | 80-85 | 16000-17000 | \$302.89 | \$243.89 | \$211.88 |
| 250W | 80-85 | 20000-21250 | \$351.02 | \$287.64 | \$250.45 |
| 300W | 80-85 | 25500-27000 | \$392.86 | \$325.68 | \$283.98 |

Notes / Options:

Voltage: 120 to 277V

Color Temp: 2700 to 6500K

Screw Base: Medium (E27) or Mogul (E39)

Color Rendering Index: >80

Lumen Maintenance: 70% after 60,000 Hours

All Ballasts are UL Listed

Warranty: 5 Years

Terms: Minimum order 5 pieces (can mix), prepaid by check, wire transfer or credit card

Prices are FOB Sarasota, FL

Lead Time: 10 Days (Air) to 30 Days (Sea)

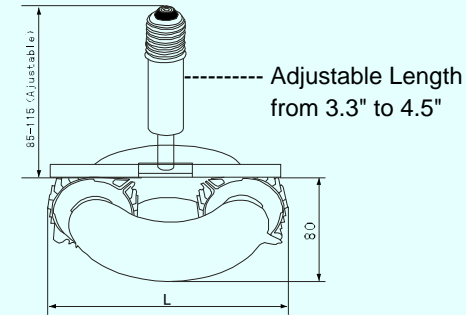
Remote Ballasted Induction Lamps and Ballasts Screw-Based Lamp Specifications



ADJUSTABLE DISTRIBUTION INDUCTION LAMP E27(E26)/E40(E39) 40-300W



Lamp size (Unit: mm)



Lamp's technical parameters

| Model | Warranty | Power (W) | Operating Frequency (KHZ) | Initial flux (LM) | Lumen efficiency (LM/W) | CCT (K) | CRI (Ra) | Lumen maintenance at 56,000 hours | Avg life-time (H) | Outer diameter (mm) |
|---------------|----------|-----------|---------------------------|-------------------|-------------------------|---------|----------|-----------------------------------|-------------------|---------------------|
| Y40H850W/E27 | 5YR | 40W | 250 | 2600-2800 | 65-70 | 5000 | >80 | >70% | 100,000 | 165 |
| Y60H850W/E27 | 5YR | 60W | 250 | 3900-4200 | 65-70 | 5000 | >80 | >70% | 100,000 | 165 |
| Y80H850W/E40 | 5YR | 80W | 250 | 5600-6000 | 70-75 | 5000 | >80 | >70% | 100,000 | 245.5 |
| Y100H850W/E40 | 5YR | 100W | 250 | 75000-8000 | 75-80 | 5000 | >80 | >70% | 100,000 | 245.5 |
| Y120H850W/E40 | 5YR | 120W | 250 | 9000-9600 | 75-80 | 5000 | >80 | >70% | 100,000 | 305.7 |
| Y150H850W/E40 | 5YR | 150W | 250 | 11250-12000 | 75-80 | 5000 | >80 | >70% | 100,000 | 336 |
| Y200H850W/E40 | 5YR | 200W | 250 | 16000-17000 | 80-85 | 5000 | >80 | >70% | 100,000 | 346 |
| Y250H850W/E40 | 5YR | 250W | 250 | 21500-22500 | 85-90 | 5000 | >80 | >70% | 100,000 | 376 |
| Y300H850W/E40 | 5YR | 300W | 250 | 25500-27000 | 85-90 | 5000 | >80 | >70% | 100,000 | 415 |

Note: 1. The products listed in the table are common products with conventional CCT, another CCT (2700-6500K) or color (red, green, blue) products are available upon request.

2. Operating surrounding temperature is 0°C ~ +50°C (without fixture, or with open fixture).

3. Operating surrounding temperature is -20°C ~ +50°C (with enclosed fixture).

4. Products for operating at special surrounding temperature (-40°C ~ 0°C) are available upon request. □

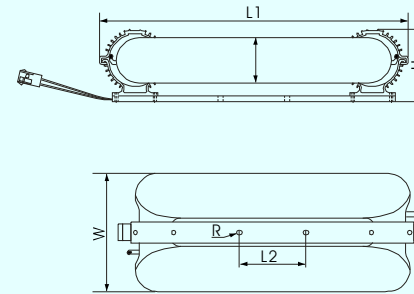
5. The lamp with E26 or E39 base is available upon request

Remote Ballasted Induction Lamps and Ballasts Rectangular Lamp Specifications

RECTANGLE TUBULAR INDUCTION LAMP JW SERIES (40-500W)



Lamp size (Unit: mm)



Lamp's technical parameters

| Model | Warranty | Power (W) | Operating Frequency (KHZ) | Initial flux (LM) | Lumen efficiency (LM/W) | CCT (K) | CRI (Ra) | Lumen maintenance at 56,000 hours | Avg life-time (H) |
|------------|----------|-----------|---------------------------|-------------------|-------------------------|---------|----------|-----------------------------------|-------------------|
| Y40J840W38 | 5YR | 40 | 250 | 2600-2800 | 65-70 | 4000 | >80 | >70% | 100,000 |
| Y40J850W38 | 5YR | 40 | 250 | 2600-2800 | 65-70 | 5000 | >80 | >70% | 100,000 |
| Y60J840W38 | 5YR | 60 | 250 | 3900-4200 | 65-70 | 4000 | >80 | >70% | 100,000 |
| Y60J850W38 | 5YR | 60 | 250 | 3900-4200 | 65-70 | 5000 | >80 | >70% | 100,000 |
| Y80J840W | 5YR | 80 | 250 | 5600-6000 | 70-75 | 4000 | >80 | >70% | 100,000 |
| Y80J850W | 5YR | 80 | 250 | 5600-6000 | 70-75 | 5000 | >80 | >70% | 100,000 |
| Y100J840W | 5YR | 100 | 250 | 7500-8000 | 75-80 | 4000 | >80 | >70% | 100,000 |
| Y100J850W | 5YR | 100 | 250 | 7500-8000 | 75-80 | 5000 | >80 | >70% | 100,000 |
| Y120J840W | 5YR | 120 | 250 | 9000-9600 | 75-80 | 4000 | >80 | >70% | 100,000 |
| Y120J850W | 5YR | 120 | 250 | 9000-9600 | 75-80 | 5000 | >80 | >70% | 100,000 |
| Y150J840W | 5YR | 150 | 250 | 11250-12000 | 75-80 | 4000 | >80 | >70% | 100,000 |
| Y150J850W | 5YR | 150 | 250 | 11250-12000 | 75-80 | 5000 | >80 | >70% | 100,000 |

Remote Ballasted Induction Lamps and Ballasts Rectangular Lamp Specifications

RECTANGLE TUBULAR INDUCTION LAMP JW SERIES (40-500W)



Lamp's technical parameters

| Model | Warranty | Power (W) | Operating Frequency (KHZ) | Initial flux (LM) | Lumen efficiency (LM/W) | CCT (K) | CRI (Ra) | Lumen maintenance at 56,000 hours | Avg life-time (H) |
|--------------|----------|-----------|---------------------------|-------------------|-------------------------|---------|----------|-----------------------------------|-------------------|
| IY200J840W58 | 5YR | 200 | 250 | 16000-17000 | 80-85 | 4000 | >80 | >70% | 100,000 |
| IY200J850W58 | 5YR | 200 | 250 | 16000-17000 | 80-85 | 5000 | >80 | >70% | 100,000 |
| IY250J840W58 | 5YR | 250 | 250 | 20000-21250 | 80-85 | 4000 | >80 | >70% | 100,000 |
| IY250J850W58 | 5YR | 250 | 250 | 20000-21250 | 80-85 | 5000 | >80 | >70% | 100,000 |
| IY300J840W58 | 5YR | 300 | 250 | 25500-27000 | 85-90 | 4000 | >80 | >70% | 100,000 |
| IY300J850W58 | 5YR | 300 | 250 | 25500-27000 | 85-90 | 5000 | >80 | >70% | 100,000 |
| IY400J840W58 | 5YR | 400 | 250 | 34000-36000 | 85-90 | 4000 | >80 | >70% | 100,000 |
| IY400J850W58 | 5YR | 400 | 250 | 34000-36000 | 85-90 | 5000 | >80 | >70% | 100,000 |
| IY500J840W58 | 5YR | 500 | 250 | 42500-45000 | 85-90 | 4000 | >80 | >70% | 100,000 |
| IY500J850W58 | 5YR | 500 | 250 | 42500-45000 | 85-90 | 5000 | >80 | >70% | 100,000 |

- Note:** 1. The products listed in the table are common products with conventional CCT, another CCT (2700-6500K) or color (red, green, blue) products are available upon request.
 2. Operating surrounding temperature is -20°C ~ +50°C (with enclosed fixture).
 3. Products for operating at special surrounding temperature (-40°C ~ 0°C or -40°C ~ +20°C) are available upon request.

Lamp's dimensions

| Name | Mark | 40W | 60W | 80W | 100W | 120W | 150W | 200W | 250W | 300W | 400W | 500W |
|-----------------------|------|-----|-----|-----|------|------|------|------|------|------|------|------|
| Tube diameter | φ | 38 | 38 | 54 | 54 | 54 | 54 | 58 | 58 | 58 | 58 | 58 |
| Lamp length | L1 | 192 | 192 | 290 | 290 | 330 | 370 | 450 | 490 | 590 | 840 | 1040 |
| Lamp width | W | 106 | 106 | 144 | 144 | 144 | 144 | 152 | 152 | 172 | 176 | 176 |
| Lamp height | H | 65 | 65 | 80 | 80 | 80 | 80 | 80 | 80 | 95 | 95 | 95 |
| Spacing of open holes | L2 | 45 | 45 | 249 | 249 | 289 | 329 | 409 | 449 | 573 | 763 | 1023 |

Remote Ballasted Induction Lamps and Ballasts Ballast Specifications

ELECTRONIC BALLAST FOR INDUCTION LAMP (40-500W)



Electronic ballast technical parameter

| Model | Power (W) | Shell material | Input voltage (V) | Frequency (Hz) | THD | Power factor() | Allowable case temp(°C) |
|------------|-----------|----------------------|-------------------|----------------|------|-----------------|-------------------------|
| IY40DW/X1 | 40 | Aluminum Profile | 120-277V | 50/60 | ≤10% | ≥0.96 | ≤70 |
| IY60DW/X1 | 60 | Aluminum Profile | 120-277V | 50/60 | ≤10% | ≥0.96 | ≤70 |
| IY80DW/X1 | 80 | Aluminum Profile | 120-277V | 50/60 | ≤10% | ≥0.96 | ≤70 |
| IY100DW/X1 | 100 | Aluminum Profile | 120-277V | 50/60 | ≤10% | ≥0.96 | ≤70 |
| IY120DW/X1 | 120 | Aluminum Profile | 120-277V | 50/60 | ≤10% | ≥0.96 | ≤70 |
| IY150DW/X1 | 150 | Aluminum Profile | 120-277V | 50/60 | ≤10% | ≥0.96 | ≤70 |
| IY200DW/X1 | 200 | Aluminum Profile | 120-277V | 50/60 | ≤10% | ≥0.96 | ≤70 |
| IY250DW/X2 | 250 | Aluminum Profile | 120-277V | 50/60 | ≤10% | ≥0.96 | ≤70 |
| IY200DW/Y1 | 200 | Die casting aluminum | 120-277V | 50/60 | ≤10% | ≥0.96 | ≤70 |
| IY250DW/Y1 | 250 | Die casting aluminum | 120-277V | 50/60 | ≤10% | ≥0.96 | ≤70 |
| IY300DW/Y1 | 300 | Die casting aluminum | 120-277V | 50/60 | ≤10% | ≥0.96 | ≤70 |
| IY400DW/Y1 | 400 | Die casting aluminum | 120-277V | 50/60 | ≤10% | ≥0.96 | ≤70 |
| IY500DW/Y1 | 500 | Die casting aluminum | 120-277V | 50/60 | ≤10% | ≥0.96 | ≤70 |

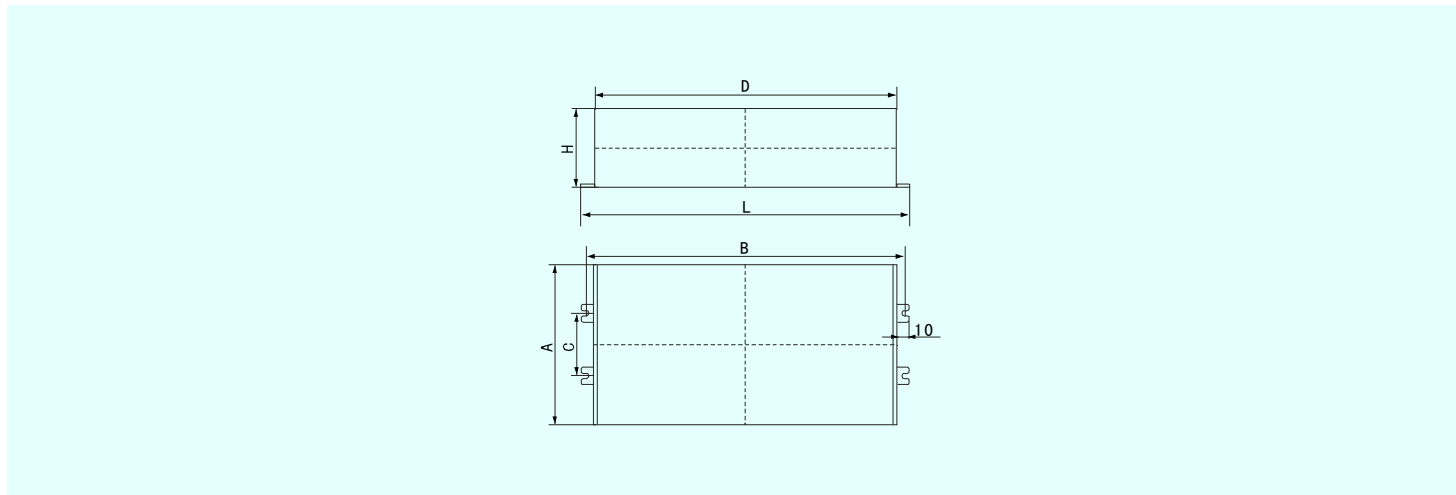
Electronic ballast dimensions (Aluminum Profile)



| Power (W) | Size (mm) | | | | | |
|------------|-----------|-----|----|-----|----|-----|
| | A | B | C | D | H | L |
| 40/60 | 105 | 117 | 50 | 105 | 50 | 127 |
| 80/100/120 | 105 | 175 | 50 | 163 | 50 | 185 |
| 150/200 | 105 | 200 | 50 | 188 | 50 | 210 |
| 250 | 128 | 255 | 50 | 243 | 65 | 265 |

Remote Ballasted Induction Lamps and Ballasts Ballast Specifications

ELECTRONIC BALLAST FOR INDUCTION LAMP (40-500W)



Electronic ballast dimensions (Die casting aluminum)

