

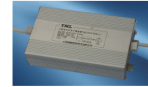


Eco-Smart, Inc.
 4411 Bee Ridge Rd. #344
 Sarasota, FL 34233
 888-329-2705 ph / 941-377-9460 fx
www.eco-smart.com

Induction Lamp and Ballast Wholesale Prices - Remote Ballast (UL Listed)

Updated September 3, 2010

1. Rectangular Tube Induction Lamp and Ballast



Power	Luminous efficiency (lm/W)	Initial luminous flux(lm)	Qty	Qty	Qty
			5 to 9	10 to 99	100+
40W	65-70	2600-2800	\$139.90	\$95.71	\$81.24
60W	65-70	3900-4200	\$158.52	\$112.64	\$96.17
80W	70-75	5600-6000	\$204.55	\$154.49	\$133.06
100W	75-80	7500-8000	\$212.92	\$162.10	\$139.77
120W	75-80	9000-9600	\$227.57	\$175.41	\$151.51
150W	75-80	11250-12000	\$233.85	\$181.12	\$156.54
200W	80-85	16000-17000	\$281.97	\$224.87	\$195.11
250W	80-85	20000-21250	\$330.09	\$268.62	\$233.68
300W	85-90	25500-27000	\$371.94	\$306.66	\$267.22
400W	85-90	34000-36000	\$422.15	\$352.31	\$307.46
500W	85-90	42500-45000	\$579.08	\$494.97	\$433.23

Round Tube Induction Lamp and Ballast



Power	Luminous efficiency (lm/W)	Initial luminous flux(lm)	Qty	Qty	Qty
			5 to 9	10 to 99	100+
40W	65-70	2600-2800	\$139.90	\$95.71	\$81.24
60W	65-70	3900-4200	\$158.52	\$112.64	\$96.17
80W	70-75	5600-6000	\$204.55	\$154.49	\$133.06
100W	75-80	7500-8000	\$212.92	\$162.10	\$139.77
120W	75-80	9000-9600	\$227.57	\$175.41	\$151.51
150W	75-80	11250-12000	\$233.85	\$181.12	\$156.54
200W	80-85	16000-17000	\$281.97	\$224.87	\$195.11
250W	80-85	21500-22500	\$330.09	\$268.62	\$233.68
300W	85-90	25500-27000	\$371.94	\$306.66	\$267.22

Round Tube Induction Lamp and Ballast (Screw Base)



Power	Luminous efficiency (lm/W)	Initial luminous flux(lm)	Qty	Qty	Qty
			5 to 9	10 to 99	100+
40W	65-70	2600-2800	\$154.55	\$109.03	\$92.98
60W	65-70	3900-4200	\$173.17	\$125.96	\$107.91
80W	70-75	5600-6000	\$225.48	\$173.51	\$149.83
100W	75-80	7500-8000	\$233.85	\$181.12	\$156.54
120W	75-80	9000-9600	\$248.49	\$194.43	\$168.28
150W	75-80	11250-12000	\$254.77	\$200.14	\$173.31
200W	80-85	16000-17000	\$302.89	\$243.89	\$211.88
250W	80-85	20000-21250	\$351.02	\$287.64	\$250.45
300W	80-85	25500-27000	\$392.86	\$325.68	\$283.98

Notes / Options:

Voltage: 120 to 277V

Color Temp: 2700 to 6500K

Screw Base: Medium (E27) or Mogul (E39)

Color Rendering Index: >80

Lumen Maintenance: 70% after 60,000 Hours

All Ballasts are UL Listed

Warranty: 5 Years

Terms: Minimum order 5 pieces (can mix), prepaid by check, wire transfer or credit card

Prices are FOB Sarasota, FL

Lead Time: 10 Days (Air) to 30 Days (Sea)

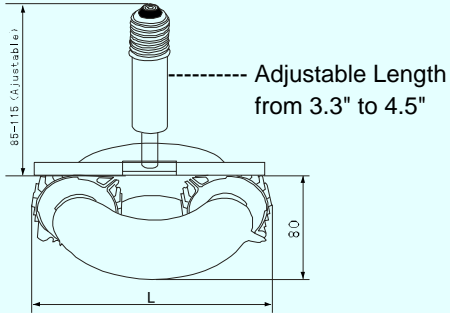
Remote Ballasted Induction Lamps and Ballasts Screw-Based Lamp Specifications



ADJUSTABLE DISTRIBUTION INDUCTION LAMP E27(E26)/E40(E39) 40-300W



Lamp size (Unit: mm)



Lamp's technical parameters

Model	Warranty	Power (W)	Operating Frequency (KHZ)	Initial flux (LM)	Lumen efficiency (LM/W)	CCT (K)	CRI (Ra)	Lumen maintenance at 56,000 hours	Avg life-time (H)	Outer diameter (mm)
Y40H850W/E27	5YR	40W	250	2600-2800	65-70	5000	>80	>70%	100,000	165
Y60H850W/E27	5YR	60W	250	3900-4200	65-70	5000	>80	>70%	100,000	165
Y80H850W/E40	5YR	80W	250	5600-6000	70-75	5000	>80	>70%	100,000	245.5
Y100H850W/E40	5YR	100W	250	75000-8000	75-80	5000	>80	>70%	100,000	245.5
Y120H850W/E40	5YR	120W	250	9000-9600	75-80	5000	>80	>70%	100,000	305.7
Y150H850W/E40	5YR	150W	250	11250-12000	75-80	5000	>80	>70%	100,000	336
Y200H850W/E40	5YR	200W	250	16000-17000	80-85	5000	>80	>70%	100,000	346
Y250H850W/E40	5YR	250W	250	21500-22500	85-90	5000	>80	>70%	100,000	376
Y300H850W/E40	5YR	300W	250	25500-27000	85-90	5000	>80	>70%	100,000	415

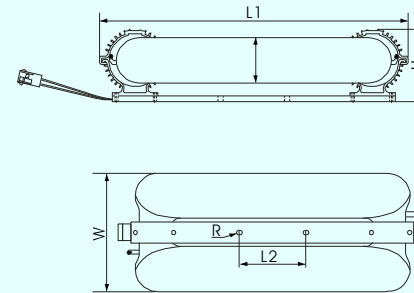
- Note: 1. The products listed in the table are common products with conventional CCT, another CCT (2700-6500K) or color (red, green, blue) products are available upon request.
2. Operating surrounding temperature is 0°C ~ +50°C (without fixture, or with open fixture).
3. Operating surrounding temperature is -20°C ~ +50°C (with enclosed fixture).
4. Products for operating at special surrounding temperature (-40°C ~ 0°C) are available upon request. □
5. The lamp with E26 or E39 base is available upon request

Remote Ballasted Induction Lamps and Ballasts Rectangular Lamp Specifications

RECTANGLE TUBULAR INDUCTION LAMP JW SERIES (40-500W)



Lamp size (Unit: mm)



Lamp's technical parameters

Model	Warranty	Power (W)	Operating Frequency (KHZ)	Initial flux (LM)	Lumen efficiency (LM/W)	CCT (K)	CRI (Ra)	Lumen maintenance at 56,000 hours	Avg life-time (H)
Y40J840W38	5YR	40	250	2600-2800	65-70	4000	>80	>70%	100,000
Y40J850W38	5YR	40	250	2600-2800	65-70	5000	>80	>70%	100,000
Y60J840W38	5YR	60	250	3900-4200	65-70	4000	>80	>70%	100,000
Y60J850W38	5YR	60	250	3900-4200	65-70	5000	>80	>70%	100,000
Y80J840W	5YR	80	250	5600-6000	70-75	4000	>80	>70%	100,000
Y80J850W	5YR	80	250	5600-6000	70-75	5000	>80	>70%	100,000
Y100J840W	5YR	100	250	7500-8000	75-80	4000	>80	>70%	100,000
Y100J850W	5YR	100	250	7500-8000	75-80	5000	>80	>70%	100,000
Y120J840W	5YR	120	250	9000-9600	75-80	4000	>80	>70%	100,000
Y120J850W	5YR	120	250	9000-9600	75-80	5000	>80	>70%	100,000
Y150J840W	5YR	150	250	11250-12000	75-80	4000	>80	>70%	100,000
Y150J850W	5YR	150	250	11250-12000	75-80	5000	>80	>70%	100,000

Remote Ballasted Induction Lamps and Ballasts Rectangular Lamp Specifications

RECTANGLE TUBULAR INDUCTION LAMP JW SERIES (40-500W)



Lamp's technical parameters

Model	Warranty	Power (W)	Operating Frequency (KHZ)	Initial flux (LM)	Lumen efficiency (LM/W)	CCT (K)	CRI (Ra)	Lumen maintenance at 56,000 hours	Avg life-time (H)
IY200J840W58	5YR	200	250	16000-17000	80-85	4000	>80	>70%	100,000
IY200J850W58	5YR	200	250	16000-17000	80-85	5000	>80	>70%	100,000
IY250J840W58	5YR	250	250	20000-21250	80-85	4000	>80	>70%	100,000
IY250J850W58	5YR	250	250	20000-21250	80-85	5000	>80	>70%	100,000
IY300J840W58	5YR	300	250	25500-27000	85-90	4000	>80	>70%	100,000
IY300J850W58	5YR	300	250	25500-27000	85-90	5000	>80	>70%	100,000
IY400J840W58	5YR	400	250	34000-36000	85-90	4000	>80	>70%	100,000
IY400J850W58	5YR	400	250	34000-36000	85-90	5000	>80	>70%	100,000
IY500J840W58	5YR	500	250	42500-45000	85-90	4000	>80	>70%	100,000
IY500J850W58	5YR	500	250	42500-45000	85-90	5000	>80	>70%	100,000

- Note:** 1. The products listed in the table are common products with conventional CCT, another CCT (2700-6500K) or color (red, green, blue) products are available upon request.
 2. Operating surrounding temperature is -20°C ~ +50°C (with enclosed fixture).
 3. Products for operating at special surrounding temperature (-40°C ~ 0°C or -40°C ~ +20°C) are available upon request.

Lamp's dimensions

Name	Mark	40W	60W	80W	100W	120W	150W	200W	250W	300W	400W	500W
Tube diameter	φ	38	38	54	54	54	54	58	58	58	58	58
Lamp length	L1	192	192	290	290	330	370	450	490	590	840	1040
Lamp width	W	106	106	144	144	144	144	152	152	172	176	176
Lamp height	H	65	65	80	80	80	80	80	80	95	95	95
Spacing of open holes	L2	45	45	249	249	289	329	409	449	573	763	1023

Remote Ballasted Induction Lamps and Ballasts Ballast Specifications

ELECTRONIC BALLAST FOR INDUCTION LAMP (40-500W)



Electronic ballast technical parameter

Model	Power (W)	Shell material	Input voltage (V)	Frequency (Hz)	THD	Power factor()	Allowable case temp(°C)
IY40DW/X1	40	Aluminum Profile	120-277V	50/60	≤10%	≥0.96	≤70
IY60DW/X1	60	Aluminum Profile	120-277V	50/60	≤10%	≥0.96	≤70
IY80DW/X1	80	Aluminum Profile	120-277V	50/60	≤10%	≥0.96	≤70
IY100DW/X1	100	Aluminum Profile	120-277V	50/60	≤10%	≥0.96	≤70
IY120DW/X1	120	Aluminum Profile	120-277V	50/60	≤10%	≥0.96	≤70
IY150DW/X1	150	Aluminum Profile	120-277V	50/60	≤10%	≥0.96	≤70
IY200DW/X1	200	Aluminum Profile	120-277V	50/60	≤10%	≥0.96	≤70
IY250DW/X2	250	Aluminum Profile	120-277V	50/60	≤10%	≥0.96	≤70
IY200DW/Y1	200	Die casting aluminum	120-277V	50/60	≤10%	≥0.96	≤70
IY250DW/Y1	250	Die casting aluminum	120-277V	50/60	≤10%	≥0.96	≤70
IY300DW/Y1	300	Die casting aluminum	120-277V	50/60	≤10%	≥0.96	≤70
IY400DW/Y1	400	Die casting aluminum	120-277V	50/60	≤10%	≥0.96	≤70
IY500DW/Y1	500	Die casting aluminum	120-277V	50/60	≤10%	≥0.96	≤70

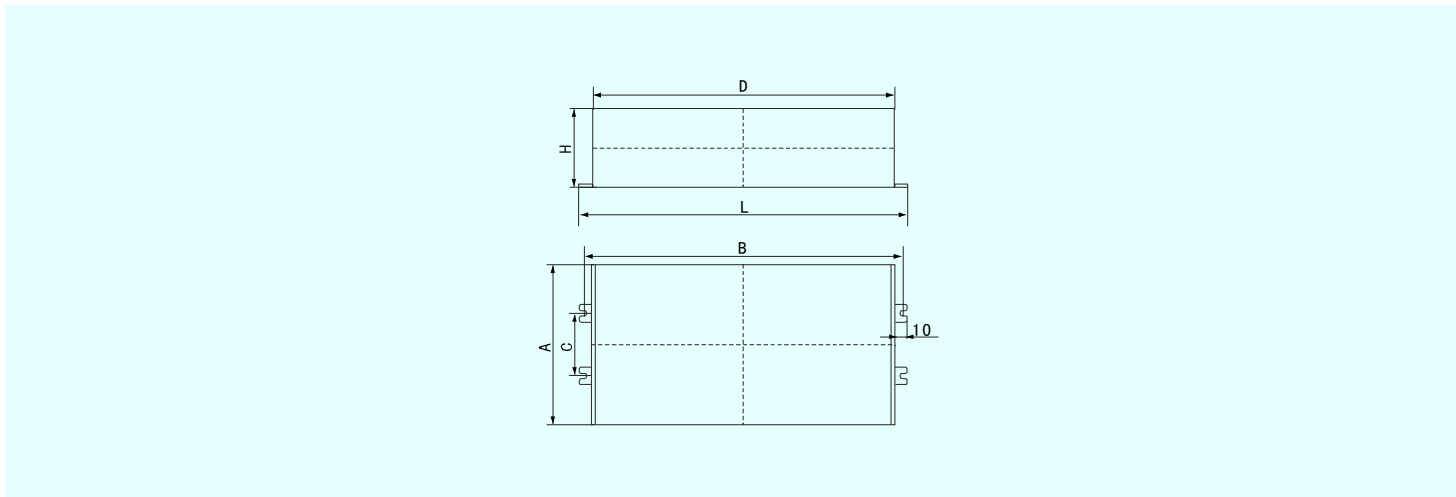
Electronic ballast dimensions (Aluminum Profile)



Power (W)	Size (mm)					
	A	B	C	D	H	L
40/60	105	117	50	105	50	127
80/100/120	105	175	50	163	50	185
150/200	105	200	50	188	50	210
250	128	255	50	243	65	265

Remote Ballasted Induction Lamps and Ballasts Ballast Specifications

ELECTRONIC BALLAST FOR INDUCTION LAMP (40-500W)



Electronic ballast dimensions (Die casting aluminum)

