

# Induction Light Fixture

## Shoe Box

### ECO-ZQ Series

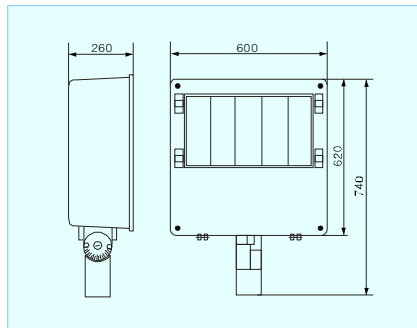
### Specifications



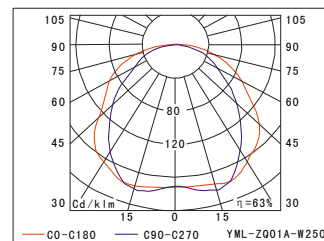
#### Features

- 1.High pressure die casting aluminum frame with power coated finish for corrosion resistance and durable use
- 2.High purity anodized aluminum reflector
- 3.Specialized designed reflector optimize light distribution
- 4.Square construction with elegant appearance
- 5.Light source: Can match with Y(2 150,200,250)rectangle tubular lamp with its excellent Color Rendering Index and light efficiency, long life span, no flicker and energy saving, wide range of color temperature and soft light ,stable light output
- 6.IP class: Ip65
- 7.Application: outdoor court、 parking lot etc

#### Fixture sizes (Unit: mm)



#### Distribution curve flux



#### Specifications

Model	Lamp	Power (W)	Voltage (V)	Power factor (COS $\phi$ )	Environ Temp ( $^{\circ}$ C)	CCT (K)	Replace MH lamp
ZQ01A-W150 $\times$ 2	Y150J850W/Z $\times$ 2	300	120-277V	$\geq$ 0.96	-20~+40 $^{\circ}$ C	5000K	600W
ZQ01A-W200 $\times$ 2	Y200J850W/Z $\times$ 2	400	120-277V	$\geq$ 0.96	-20~+40 $^{\circ}$ C	5000K	600~1000W
ZQ01A-W250 $\times$ 2	Y250J850W/Z $\times$ 2	500	120-277V	$\geq$ 0.96	-20~+40 $^{\circ}$ C	5000K	1000W

Note: The conventional color temperature is 5000K, products with CCT (2700-6500K) are available upon request.

## Rectangular Tube Induction Lamp and Ballast

Power	Luminous efficiency (lm/W)	Initial luminous flux(lm)
40W	65-70	2600-2800
60W	65-70	3900-4200
80W	70-75	5600-6000
100W	75-80	7500-8000
120W	75-80	9000-9600
150W	75-80	11250-12000
200W	80-85	16000-17000
250W	80-85	20000-21250
300W	85-90	25500-27000
400W	85-90	34000-36000
500W	85-90	42500-45000

## Round Tube Induction Lamp and Ballast

Power	Luminous efficiency (lm/W)	Initial luminous flux(lm)
40W	65-70	2600-2800
60W	65-70	3900-4200
80W	70-75	5600-6000
100W	75-80	7500-8000
120W	75-80	9000-9600
150W	75-80	11250-12000
200W	80-85	16000-17000
250W	80-85	21500-22500
300W	85-90	25500-27000

### **Notes / Options:**

Voltage: 120 to 277V

Color Temp: 2700 to 6500K

Color Rendering Index: >80

Lumen Maintenance: 70% after 60,000 Hours

Warranty: 5 Years

All Ballasts are UL Listed