

Specification for LED Lighting Bar

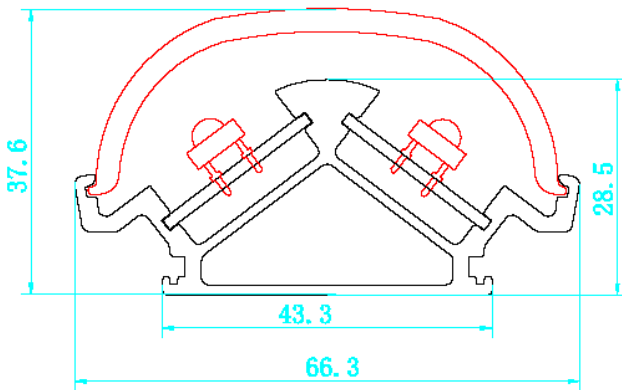
(Replace incandescent/ fluorescent Light in ice case)

Features:

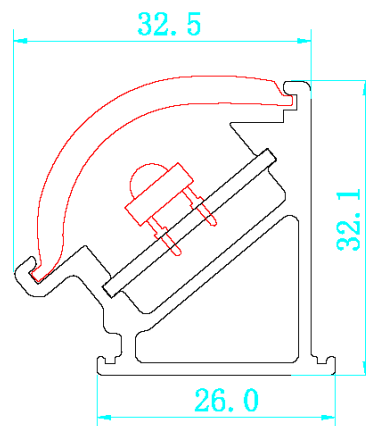
Aluminum heat sink, No UV or RF interference, Patented heat sink and optical diffuser, longer life than incandescent & fluorescents . No mercury, no ballast required, wide voltage and constant current design, solid state, high shock & vibration resistant, Mercury free, 66% savings in energy consumption, quiet, no noise, no flickering. The products are in accordance with CE, UL and FCC testing standards.



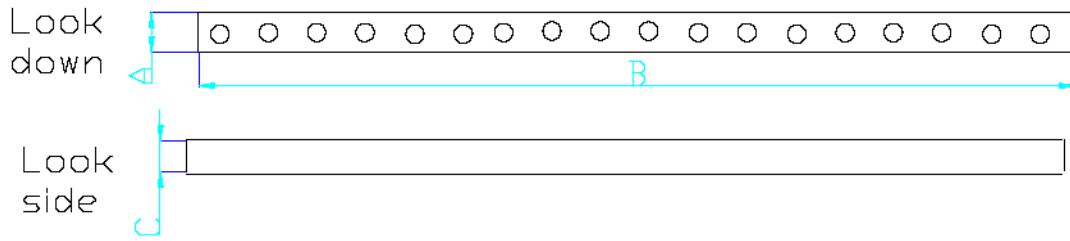
Measurements of the fixture (Unit: mm)



M-LED Light Bar



R/L-LED Light Bar



LED Light Bar Figure

Detail Expression

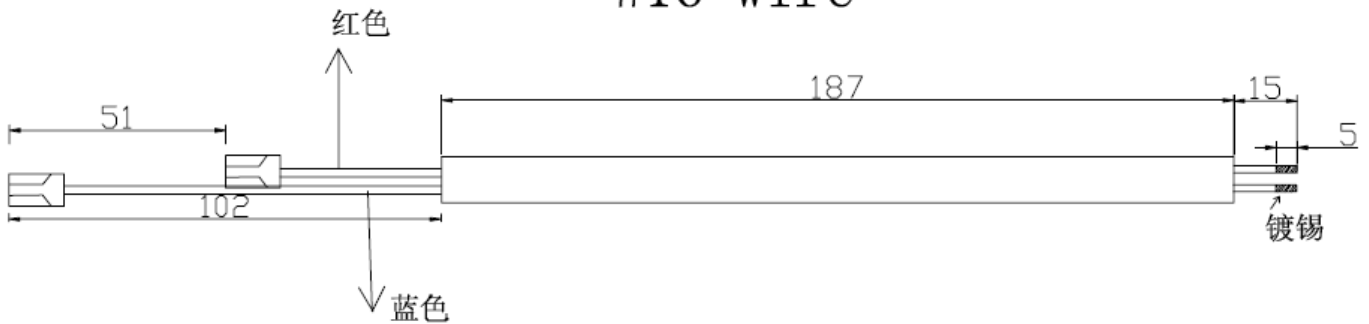
Item	A		B		C	
	mm	inch	mm	inch	mm	inch
1420-M-LED Light Bar	66.5	2.6	1420	56	38	1.5
1420-R/L-LED Light Bar	32.5	1.3	1420	56	32.3	1.3
1730-M-LED Light Bar	66.5	2.6	1730	68	38	1.5
1730-R/L-LED Light Bar	32.5	1.3	1730	68	32.3	1.3

Remark: 1420means the fixture length is 56 inch; 1730means the fixture length is 68 inch;

Cord Connector (Unit:mm)

Unit:mm

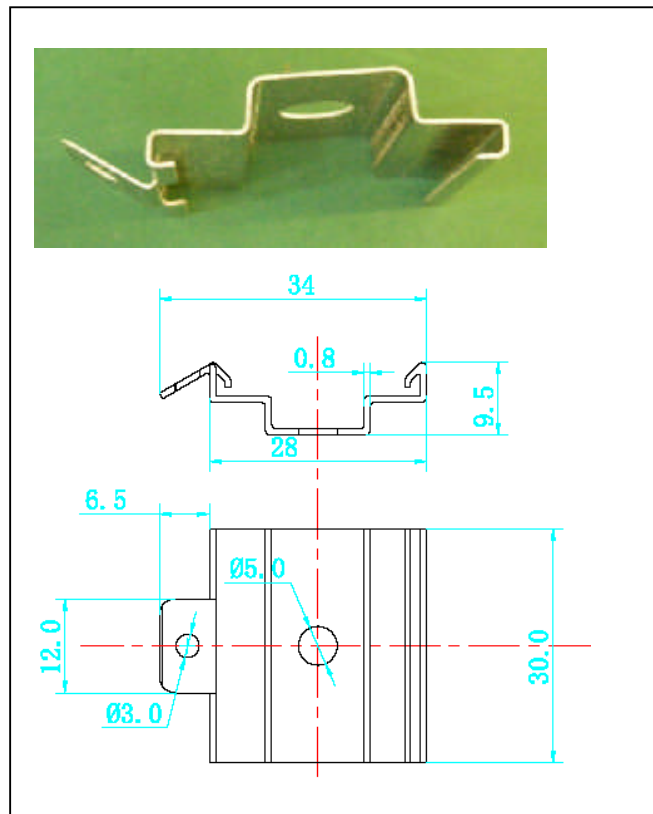
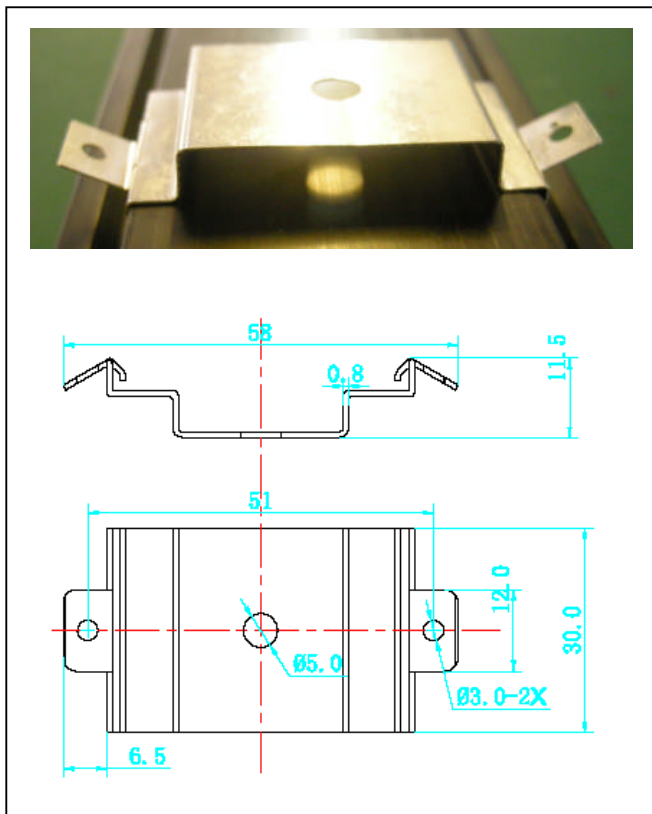
1. female connector #16 wire



2. male connector

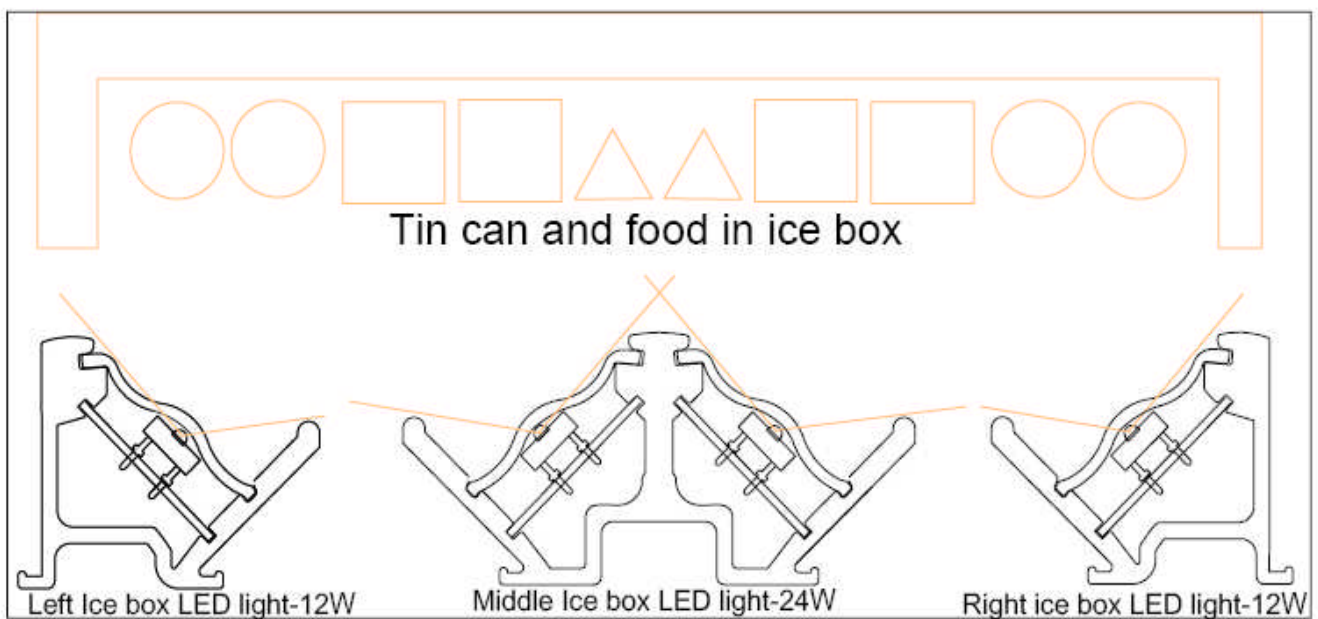


Mounting Clip



Function Expression

Ice box



Installation and Uninstalling Operation:

Installation,

1. Screw the three mounting clips to plate on ice case, with screw, nylon spacer. Nylon spacer hold the screw.
2. Put the fixture carefully to one side of the mounting clip, and then press the other side of fixture in.
3. The mounting clip may not be tight well that can slide down in this time, we will change the project way.

Uninstalling:

1. Insert the one side of the hole in the mounting clip with an bend metal bar.
2. Press and pull one side of the mounting clip with the bend metal bar. And then the fixture will loose off.

Power Supply Information

56 inches & 68 inches

	1420-M-LED Light Bar			1420-R/L-LED Light Bar		
	Min	Typical	Max	Min	Typical	Max
Input Voltage(V)	DC20	DC24	DC26	DC20	DC24	DC26
Input current(A)		0.86			0.45	
Output Power(W)	17	20.5	22	9	10.8	11.8
Operating Temperature Range(°C)	-40		40	-40		40
Storage Temperature Range(°C)	-40		80	-40		80

	1730-M-LED Light Bar			1730-R/L-LED Light Bar		
	Min	Typical	Max	Min	Typical	Max
Input Voltage(V)	DC20	DC24	DC26	DC20	DC24	DC26
Input current(A)		1			0.54	
Output Power(W)	20	24	27	11	13	14
Operating Temperature Range(°C)	-40		40	-40		40
Storage Temperature Range(°C)	-40		80	-40		80