

Retractable Insect Screen

Included in Base Price:

- Aluminum Tracks
- Aluminum Reel Assembly
- Aluminum Weight Bar Assembly
- Insect Screen 14/20 (Black)

PRICE LIST

To Calculate Unit Price
Grid Price + Options + Tax + Shipping

BASE																		Width
	5	6	7	8	9	10	11	12	13	14	15	16	17	18	19	20	21	22
5	899	975	1,050	1,126	1,201	1,277	1,352	1,428	1,503	1,579	1,654	1,730	1,805	1,881	1,956	2,032	2,107	2,182
6	944	1,029	1,113	1,198	1,282	1,367	1,451	1,536	1,620	1,705	1,789	1,874	1,958	2,043	2,127	2,212	2,296	2,380
7	989	1,083	1,176	1,270	1,363	1,457	1,550	1,644	1,737	1,831	1,924	2,018	2,111	2,205	2,298	2,392	2,485	2,578
8	1,034	1,137	1,239	1,342	1,444	1,547	1,649	1,752	1,854	1,957	2,059	2,162	2,264	2,367	2,469	2,572	2,674	2,776
9	1,079	1,191	1,302	1,414	1,525	1,637	1,748	1,860	1,971	2,083	2,194	2,306	2,417	2,529	2,640	2,752	2,863	2,974
10	1,124	1,245	1,365	1,486	1,606	1,727	1,847	1,968	2,088	2,209	2,329	2,450	2,570	2,691	2,811	2,932	3,052	3,172
11	1,169	1,299	1,428	1,558	1,687	1,817	1,946	2,076	2,205	2,335	2,464	2,594	2,723	2,853	2,982	3,112	3,241	3,370
12	1,214	1,353	1,491	1,630	1,768	1,907	2,045	2,184	2,322	2,461	2,599	2,738	2,876	3,015	3,153	3,292	3,430	3,568
13	1,259	1,407	1,554	1,702	1,849	1,997	2,144	2,292	2,439	2,587	2,734	2,882	3,029	3,177	3,324	3,472	3,619	3,766

OPTIONS:

TRACK STYLE

Jamb Included
 Face Included

TRACK ADAPTER SETS

Used to attach FENETEX screens to aluminum roll-shutters. Specify host roll-shutter on order sheet 35.00/set

EXTRUSION COLOR

White Included
 Other Call

MOUNTING OPTIONS

Cavity Mount Bracket Set 76.42/unit
 Aluminum Housing 108.24/unit
 +15.60/LnF

SCREEN TYPE

Std Insect Included
 Fine Insect .50/SqFt
 90% Shade 1.00/SqFt
 Custom Call

SCREEN COLOR

Black (charcoal) Included
 Other Call

OPERATOR

Manual Gear Set 89.08/unit
 Somfy Direct Wire Motor Set 453.60/unit
 Somfy RTS Motor Set 527.04/unit
 Somfy RTS CMO Motor Set 688.70/unit
 (All Motors 110VAC 1.8AMPS)

CONTROL

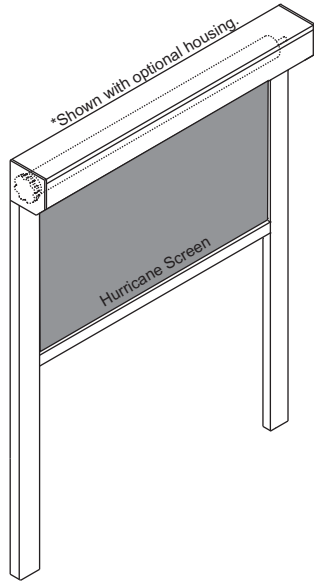
Crank Handle 4' 54.42ea
 Wall Switch (wired) 1ch 30.90ea
 DecoFlex Switch (RTS 5ch) 174.16ea
 Handheld Remote 1ch 78.22ea
 Handheld Remote 4ch 101.54ea
 Handheld Remote 16ch 323.90ea

ACCESSORIES

Track Guide Stub 30.38/unit

SHIPPING (Non-Discountable)

Within FL to commercial address/terminal
 First Unit 75.00
 Additional Units 25.00
 10+ Units Flat Rate 300.00
 Other Call



Retractable Hurricane Screen

Included in Base Price:

- Aluminum Tracks
- Aluminum Reel Assembly
- Aluminum Weight Bar Assembly
- Hurricane Screen (Black, Brown, Tan, White)

Florida Product Approval FL8637

PRICE LIST

To Calculate Unit Price
Grid Price + Options + Tax + Shipping

		Width																	
BASE		5	6	7	8	9	10	11	12	13	14	15	16	17	18	19	20	21	22
Height	5	1,063	1,148	1,233	1,319	1,404	1,490	1,575	1,661	1,746	1,832	1,917	2,003	2,088	2,174	2,259	2,345	2,430	2,516
	6	1,118	1,214	1,310	1,407	1,503	1,600	1,696	1,793	1,889	1,986	2,082	2,179	2,275	2,372	2,468	2,565	2,661	2,758
	7	1,173	1,280	1,387	1,495	1,602	1,710	1,817	1,925	2,032	2,140	2,247	2,355	2,462	2,570	2,677	2,785	2,892	3,000
	8	1,228	1,346	1,464	1,583	1,701	1,820	1,938	2,057	2,175	2,294	2,412	2,531	2,649	2,768	2,886	3,005	3,123	3,242
	9	1,283	1,412	1,541	1,671	1,800	1,930	2,059	2,189	2,318	2,448	2,577	2,707	2,836	2,966	3,095	3,225	3,354	3,484
	10	1,338	1,478	1,618	1,759	1,899	2,040	2,180	2,321	2,461	2,602	2,742	2,883	3,023	3,164	3,304	3,445	3,585	3,726
	11	1,393	1,544	1,695	1,847	1,998	2,150	2,301	2,453	2,604	2,756	2,907	3,059	3,210	3,362	3,513	3,665	3,816	3,968
	12	1,448	1,610	1,772	1,935	2,097	2,260	2,422	2,585	2,747	2,910	3,072	3,235	3,397	3,560	3,722	3,885	4,047	4,210
	13	1,503	1,676	1,849	2,023	2,196	2,370	2,543	2,717	2,890	3,064	3,237	3,411	3,584	3,758	3,931	4,105	4,278	4,452

OPTIONS:

TRACK STYLE

Face Included

EXTRUSION COLOR

White or Bronze Included
 Other Call

MOUNTING OPTIONS

Cavity Mount Bracket Set 76.42/unit
 Aluminum Housing 108.24/unit
 +15.60/LnF

SCREEN TYPE

Polypropylene (Standard) Included
 Omega Tex Impact Solar 2.00/SgFt
 Other Call

SCREEN COLOR

Black, Brown, Tan, White Included
 Other Call

OPERATOR

Manual Gear Set 89.08/unit
 Somfy Direct Wire Motor Set 453.60/unit
 Somfy RTS Motor Set 527.04/unit
 Somfy RTS CMO Motor Set 688.70/unit
 (All Motors 110VAC 1.8AMPS)

CONTROL

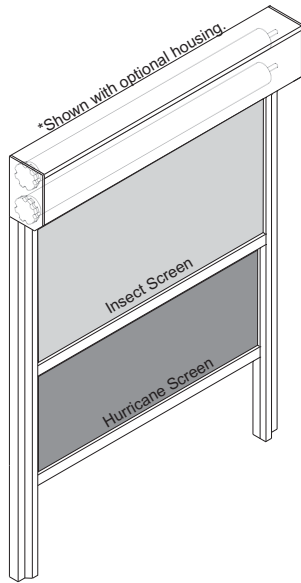
Crank Handle 4' 54.42ea
 Wall Switch (wired) 1ch 30.90ea
 DecoFlex Switch (RTS 5ch) 174.16ea
 Handheld Remote 1ch 78.22ea
 Handheld Remote 4ch 101.54ea
 Handheld Remote 16ch 323.90ea

ACCESSORIES

Track Guide Stub 30.38/unit

SHIPPING (Non-Discountable)

Within FL to commercial address/terminal
 First Unit 75.00
 Additional Units 25.00
 10+ Units Flat Rate 300.00
 Other Call



Retractable Dual Screen

Hurricane Screen & Insect Screen

Included in Base Price:

- Aluminum Tracks
- Aluminum Reel Assembly
- HDPE Corrosion Resistant Reel Bracket
- Aluminum Weight Bar Assembly
- Hurricane Screen (Black, Brown, Tan, White)
- Standard Insect Screen (Black)

Hurricane Screen:
Florida Product Approval FL8637

To Calculate Unit Price
Grid Price + Options + Tax + Shipping

Height	BASE	Width																
		5	6	7	8	9	10	11	12	13	14	15	16	17	18	19	20	21
5	1,898	2,041	2,184	2,327	2,470	2,613	2,756	2,899	3,042	3,185	3,328	3,471	3,614	3,757	3,900	4,043	4,186	4,329
6	1,988	2,149	2,310	2,471	2,632	2,793	2,954	3,115	3,276	3,437	3,598	3,759	3,920	4,081	4,242	4,403	4,564	4,725
7	2,078	2,257	2,436	2,615	2,794	2,973	3,152	3,331	3,510	3,689	3,868	4,047	4,226	4,405	4,584	4,763	4,942	5,121
8	2,168	2,365	2,562	2,759	2,956	3,153	3,350	3,547	3,744	3,941	4,138	4,335	4,532	4,729	4,926	5,123	5,320	5,517
9	2,258	2,473	2,688	2,903	3,118	3,333	3,548	3,763	3,978	4,193	4,408	4,623	4,838	5,053	5,268	5,483	5,698	5,913
10	2,348	2,581	2,814	3,047	3,280	3,513	3,746	3,979	4,212	4,445	4,678	4,911	5,144	5,377	5,610	5,843	6,076	6,309
11	2,438	2,689	2,940	3,191	3,442	3,693	3,944	4,195	4,446	4,697	4,948	5,199	5,450	5,701	5,952	6,203	6,454	6,705
12	2,528	2,797	3,066	3,335	3,604	3,873	4,142	4,411	4,680	4,949	5,218	5,487	5,756	6,025	6,294	6,563	6,832	7,101
13	2,618	2,905	3,192	3,479	3,766	4,053	4,340	4,627	4,914	5,201	5,488	5,775	6,062	6,349	6,636	6,923	7,210	7,497

OPTIONS:

TRACK STYLE

- Jamb Included
- Face Included

EXTRUSION COLOR

- White Included
- Other Call

MOUNTING OPTIONS

- Cavity Mount Bracket Set 76.42/unit
- Aluminum Housing 108.24/unit +15.60/LnF

SCREEN TYPE

- Polypropylene (Standard) Included
- Omega Tex Impact Solar 2.00/SqFt } Hurricane
- Other Call

- Std Insect Included
- Fine Insect .50/SqFt } Insect/Solar
- 90% Shade 1.00/SqFt
- Custom Call

SCREEN COLOR

- Black, Brown, Tan, White Included } Hurricane
- Black (charcoal) Included } Insect/Solar
- Other Call

OPERATOR NOTE: Dual Screens require (2) operators

- Manual Gear Set 89.08/unit
- Somfy Direct Wire Motor Set 453.60/unit
- Somfy RTS Motor Set 527.04/unit
- Somfy RTS CMO Motor Set 688.70/unit
- (All Motors 110VAC 1.8AMPS)

CONTROL

- Crank Handle 4' 54.42ea
- Wall Switch (wired) 1ch 30.90ea
- DecoFlex Switch (RTS 5ch) 174.16ea
- Handheld Remote 1ch 78.22ea
- Handheld Remote 4ch 101.54ea
- Handheld Remote 16ch 323.90ea

ACCESSORIES

- Track Guide Stub 30.38/unit

SHIPPING (Non-Discountable)

- Within FL to commercial address/terminal
- First Unit 75.00
- Additional Units 25.00
- 10+ Units Flat Rate 300.00
- Other Call