

# Smart Sense H5L Series

## H5L High Bay Workhorse

### FEATURES & SPECIFICATIONS

#### INTENDED USE

The H5L series is the workhorse of our high bay fluorescent series, designed especially for high light output. The fixtures uses premium mirrored reflectors for high efficiency lighting. A sturdy/ durable fixture body with superior appearance and appeal, suitable for commercial, retail and industrial applications. Mounts easily with chain or cable kit. The Smart Sense version incorporates an integral Sensor Switch Occupancy Sensor in the reflector and protected by an optional wire guard. No need for an external sensor with this full functioning Occupancy Sensor. See Sensor Switch spec sheet below.

#### SIZE W x L x H in inches (mm)

13W x 48L x 3.0Dp

#### CONSTRUCTION

Body and ends are die blanked, pierced and formed of 20 gauge cold rolled prime steel for rigidity and uniformity. Forming of the housing has been engineered to provide added strength along its entire length.

#### LAMP

4 Lamp Positions

#### MATERIALS & FEATURES

Baked white enamel code gage steel Premium full specular mirrored reflector Multiple KOs and access plate.



Integral Sensor Switch  
Occupancy Sensor

#### MOUNTING

4 Point chain mount. For other options, consult factory.

#### LISTING / CERTIFICATIONS

Fixture & Ballast: UL Listed

Ballast: Thermally protected, class P, HPF,  
Non PCB

#### TYPICAL OPTIONS AND ACCESSORIES

Emergency ballasts, Cord sets, whips, occupancy sensors Hanging kits, Wire guards. Contact factory for additional options.

### ORDERING INFORMATION

Example: **H5L454M23MV**

H5L	4	54	M23	MV
<b>Series</b>	<b>Lamp Count</b>	<b>Lamp Type</b>	<b>Reflector</b>	<b>Ballast &amp; Voltage [1]</b>
H5L High Bay Workhorse SSH5L Smart Sense High Bay	4 (Lamps not included)	54 46 in. T5 32 48 in. T8	M23 Mirrored wide distribution W13 Enhanced white Aluminum W12 Enhanced white Reflector w/ integral sensor and air vents.	E120 Electronic, 120V E277 Electronic, 277V MV Electronic, Multivolt (120-277) H120 Electronic, 120V Hi-Lume [3] H277 Electronic, 277V Hi-Lume [3] HMV Electronic, MV Hi-Lume [3] L120 Electronic, 120V Lo-Lume [3] L277 Electronic, 277V Lo-Lume [3] LMV Electronic, MV Lo-Lume [3] PMV* Electronic, Program Start 120-277V
<b>Accessories</b> Order as Seperate Part Number				<b>Options [1]</b>
H5LLEN Clear Lens. Mounts .25" off fixture. HC101 Chain kit, Includes: 6 S Hooks and 20ft. chain HC202 Tong hangers, End Mount (Pair) HC203 Tong hangers, Side Mount (Pair) 7H5L Single Point hanger adapter H5L6WG 6 Lamp Wire Guard				CS 5-15P 120V 8ft. Cord & Plug CS12 L7-15P 277V 8ft. Cord & Plug CS08 8ft. Cord, No Plug WP 6 ft. 3 wire, Whip WP10 6ft. 4 wire, Whip EM Emergency ballast, 500 lumens EM14 Emergency ballast, 1400 lumens

Note: EM14 required for T5HO lamps  
\*Recommended with T8 lamps and SS series.

Catalog Number:

Notes:

### KEY SPECS

Lens High Bay 360°  
Enclosure Snap Fit  
Power Type Line Voltage  
Detection Passive Infrared (PIR)

### TYPICAL APPLICATIONS

High Bay Warehouse  
Individual Fixture Control  
T-5 or T-8 Fluorescent

### FEATURES

25-45 ft (7.62 - 13.72 m) Mounting  
30 sec. to 20 min Time Delay  
Self-contained Relay,  
no Power Pack required  
No Minimum Load  
Push-Button Programmable  
100 hr. Lamp Burn-in Timer  
Green LED Indicator

### PHYSICAL SPECS

SIZE 2.25" H x 1.38" W x 0.82" D  
(5.715 cm x 3.51 cm x 2.08 cm)  
WEIGHT 4 oz.  
MOUNTING Snaps into 2 3/16" H x  
1 5/16" W x 1" D cavity in fixture  
COLOR White

### ELECTRICAL SPECS

Load Rating (1 Phase Only)  
800 W @ 120 VAC  
1200 W @ 277 VAC  
1500 W @ 347 VAC  
Motor Load 1/4 HP  
Frequency 50/60 Hz  
Timers are 1.2x for 50 Hz

### ENVIRONMENTAL SPECS

Operating Temp  
14° to 160° F (-10° to 71° C)  
Storage Temp  
-14° to 160° F (-26° to 71° C)  
Relative Humidity  
20 to 90% non-condensing

### OTHER

UL and CUL Listed  
5 Year Warranty  
Made in the U.S.A.

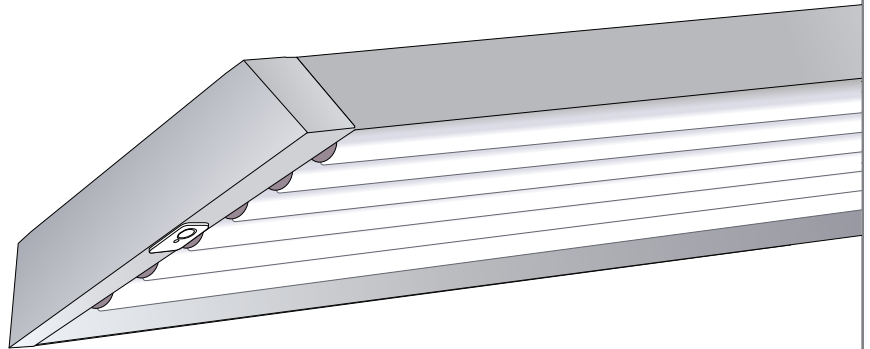
## SFR-5



The Snap-Fit High Bay sensor is a compact line voltage sensor that snaps directly into a small cavity in a fixture. The sensor utilizes Passive Infrared (PIR) detection to detect motion from occupants within its 360° coverage pattern that overlaps that of most HID, T-5, or T-8 fixtures used in warehouse applications.

### SENSOR OPERATIONS

The sensor detects changes in the infrared energy given off by occupants as they move within the field-of-view. When occupancy is detected, a self-contained relay switches the lighting on. The sensor is line powered and can switch a large range of line voltages. An internal timer, factory set at 10 minutes, keeps the lights on during brief periods of no activity. This timer is push-button programmable from 30 seconds to 20 minutes, and is reset every time occupancy is re-detected. This state-of-the-art design requires no manual sensitivity adjustments.



### OPTIONS

#### VOLTAGE: 347 VAC (-3)

- Allows sensor to be powered by and switch 347 VAC

#### LOW TEMP/HIGH HUMIDITY (-LT)

- Sensor is corrosion resistant to moisture
- Operates down to -40° F/C

## ORDERING BLOCK

SFR-5-[VOLTAGE]-[TEMP/HUMIDITY]		
OPTIONS	VOLTAGE	TEMP/HUMIDITY
	Blank = 120-277 VAC -3 = 347 VAC	Blank = 14° to 160° F -LT = -40° to 160° F

PRELIMINARY

T173-001

revised 10/17/2008  
© Sensor Switch, Inc. 2008

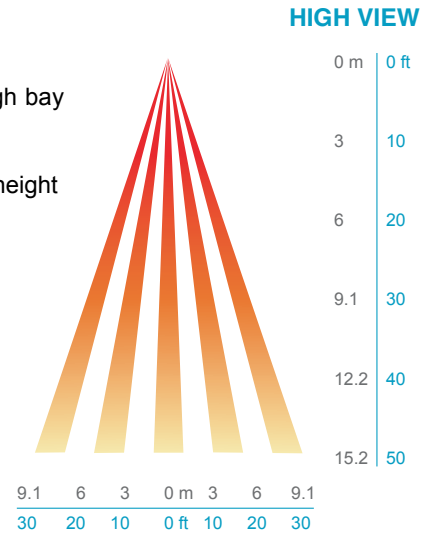
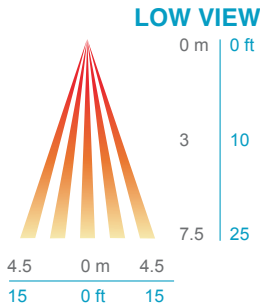
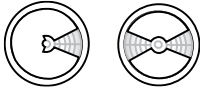
## COVERAGE PATTERN

### 5 MINI HIGH BAY 360° LENS

- Best choice for 25 to 45 ft (7.62 to 13.72 m) mounting heights
- 15 to 25 ft (4.57 to 7.62 m) radial coverage overlaps area lit by a typical high bay fixture
- Large Motion (e.g. walking) detection up to a 35 ft (10.67 m) mounting height
- Extra Large Motion (e.g. forklifts) detection up to a 45 ft (13.72 m) mounting height

### MASKING KIT

- A masking kit is provided in order to mask off a portion of the view pattern for end-of-aisle applications; or to trim the sensor's side viewing to create a rectangular pattern for center-of-aisle viewing only.



## WIRING

### STANDARD WIRING

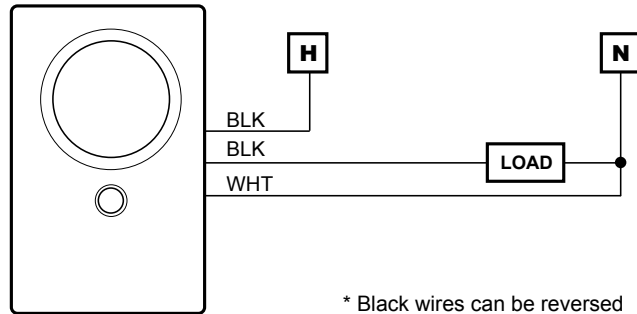
- BLACK\* - Line Input
- BLACK\* - Load Output
- WHITE - Neutral

### 347 VAC OPTION

Black wires are replaced w/ Red wires

### INITIAL POWER UP (3 MINUTE WARM-UP)

The relay in the sensor is shipped in a latched closed position so that when power is initially applied the lights will come on. The sensor will then begin to time out after a 1-3 minute warm-up period. If the lights do not immediately turn on (initial installation only) the latching relay opened during shipment and will close after warm-up period is over.



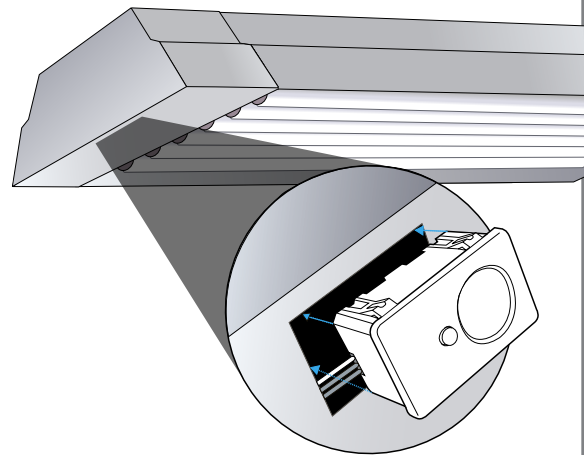
## INSTALLATION

### MOUNTING

The Snap Fit enclosure is designed to fit snugly inside a 2 3/16" H x 1 5/16" W x 1" D cavity in a high bay lighting fixture

### PROGRAMMING

Refer to included instruction card for default settings and directions on programming the sensor time delay via the push-button.



**WARRANTY:** Sensor Switch, Inc. warrants these products to be free of defects in manufacture and workmanship for a period of 60 months. Sensor Switch, Inc., upon prompt notice of such defect will, at its option, provide a Returned Material Authorization number and repair or replace returned product.

**LIMITATIONS AND EXCLUSIONS:** This Warranty is in full lieu of all other representation and expressed and implied warranties (including the implied warranties of merchantability and fitness for use) and under no circumstances shall Sensor Switch, Inc. be liable for any incidental or consequential property damages or losses.

# H6L Series

## H6L High Bay Workhorse



### FEATURES & SPECIFICATIONS

#### INTENDED USE

The H6L series is the workhorse of our high bay fluorescent series, designed especially for high light output. The fixtures uses premium mirrored or white reflectors for high efficiency lighting. A sturdy/ durable fixture body with superior appearance and appeal, suitable for commercial, retail and industrial applications. Mounts easily with chain or cable kit. Also available in **TANDEM** configuration.

#### SIZE W x L x H in inches (mm)

15.8W x 48L x 3.4Dp

15.8W x 96L x 3.4Dp

#### CONSTRUCTION

Body and ends are die blanked, pierced and formed of 20 guage cold rolled prime steel for rigidity and uniformity. Forming of the housing has been engineered to provide added strength along its entire length.

#### LAMP

6 Lamp Positions; T5 or T8. Consult for 4 lamp.

#### MATERIALS & FEATURES

Baked white enamel code gage steel Premium full specular mirrored reflector Multiple KOs and access plate

#### MOUNTING

4 Point chain mount. For other options, consult factory.

#### LISTING / CERTIFICATIONS

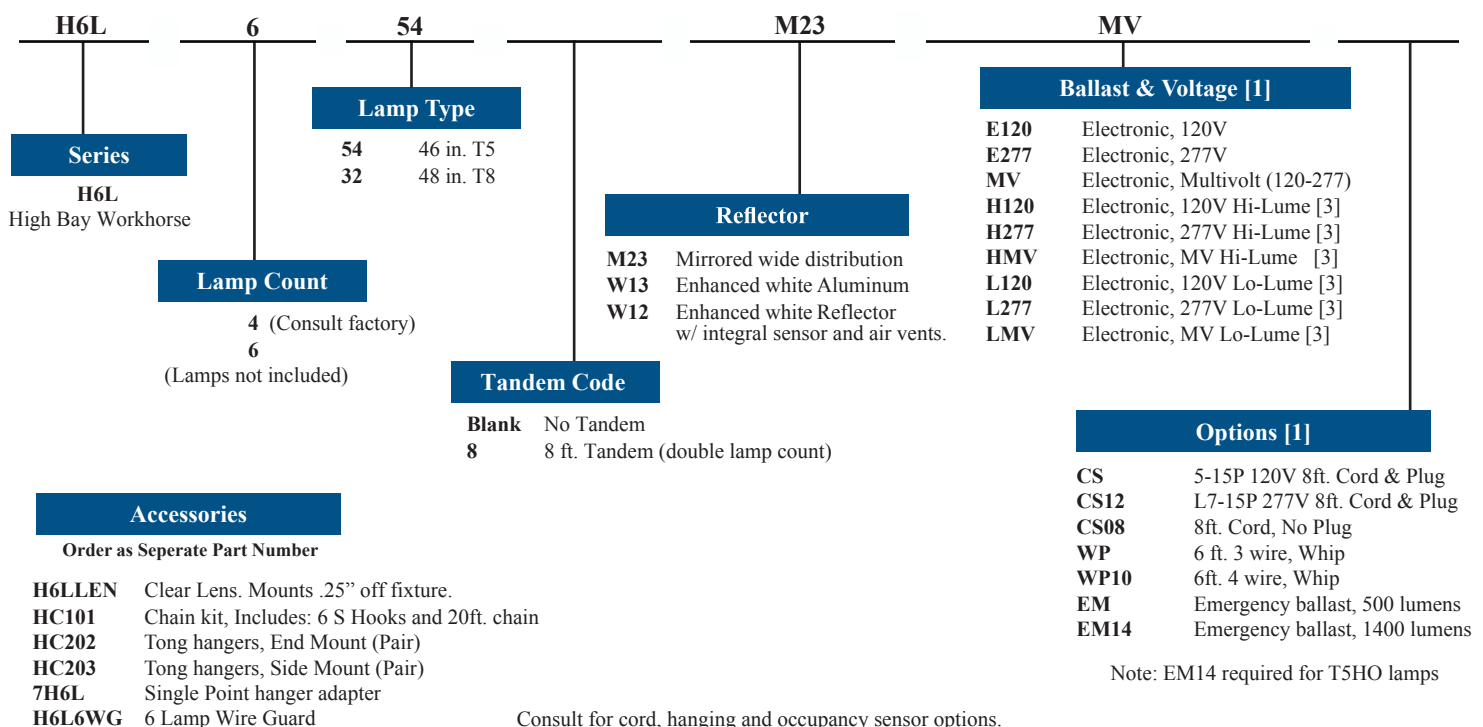
Fixture & Ballast: UL Listed

#### TYPICAL OPTIONS AND ACCESSORIES

Emergency ballasts, Cord sets, whips, occupancy sensors Hanging kits, Wire guards. Contact factory for additional options.

### ORDERING INFORMATION

Example: **H6L654M23MV**



Catalog Number:
Notes:

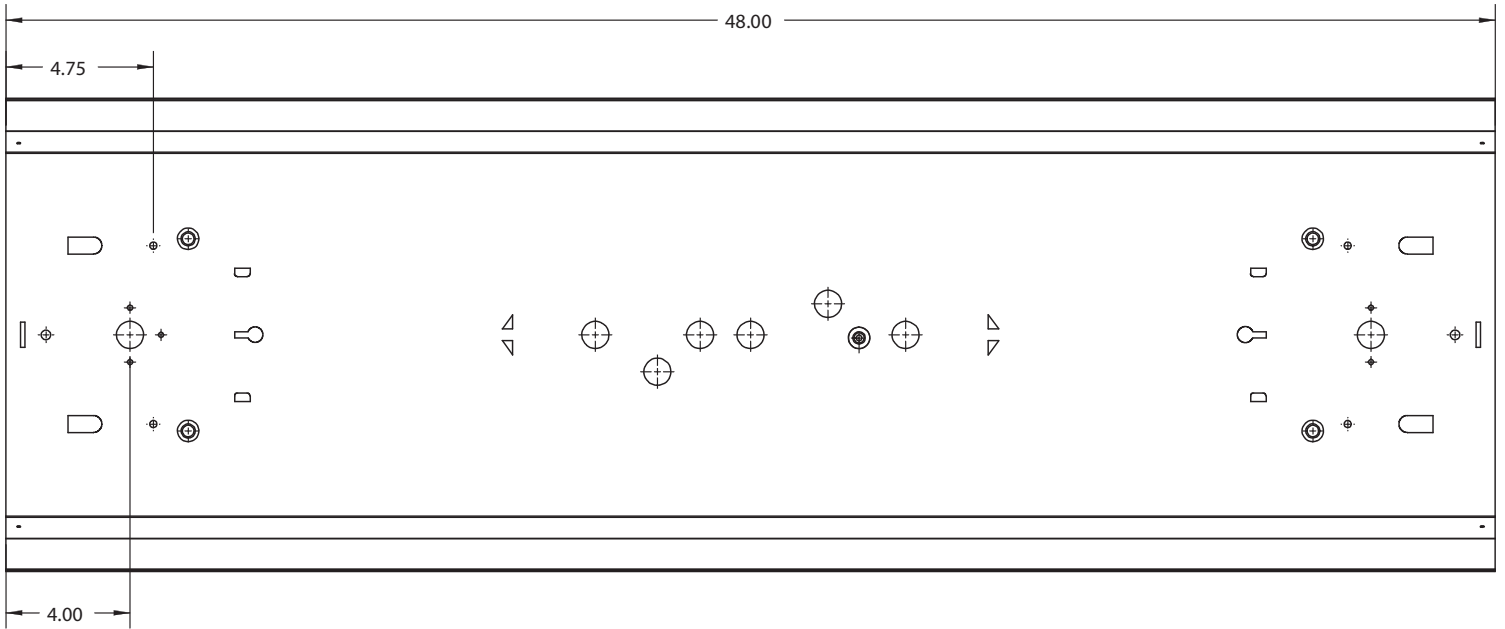
# H6L Series

H6L High Bay Workhorse



## DIMENSIONS

Top View



Catalog Number:
Notes: