

Brac Systems

Other easy ways to save water

Throughout the house:

Check for leaks from faucets and pipes even the smallest drip can waste as much as 75 liters a day

In the bathroom:

Flushless remember the toilet is not a trash tray or wastebasket.

While brushing teeth, shaving, etc., turn off the water

When cold water will do, avoid using hot water

Take short showers 5 minutes or less.

In the shower, wet yourself down, turn the water off, lather up, then turn the water on to rinse off soap.

In the kitchen:

Operate the dishwasher only when you have a full load.

Scrape, don't rinse your dishes before loading in the dishwasher

When purchasing a dishwasher, consider a water-efficient model.

Thaw frozen food in the refrigerator or microwave, not under running water

Store drinking water in the refrigerator instead of letting the tap run while you wait for cool water to flow.

When washing dishes by hand, fill one sink or basin with soapy water and fill the rinsing sink to one-third or one-half full avoid letting the water run continuously while rinsing sink.

In the laundry:

For washers with variable settings for water volume, select the minimum amount required per load.

If load size cannot be set, operate the washer with full loads only

Use the shortest wash cycle for lightly soiled loads, normal and permanent press wash cycles use more water

Check hoses regularly for leaks.

Pre-treat stains to avoid re-washing.



HEADQUARTERS – CANADA

Brac Systems
3571 Ashby
Ville St-Laurent
Montreal, Quebec H4R 2K3
Canada

Tel: 514 856 2722 (BRAC)

Fax: 514 856 2723

Toll Free: 1 866 494 2722

E-mail: info@bracsystems.com

Website: www.bracsystems.com



Eco-Smart, Inc.

(888) 329-2705

Email: info@ecosmartinc.com

Website: www.ecosmartinc.com

*Healthy, Efficient, Disaster Resistant
Products for better living.*



*Your solution to water shortages
and high water bills*



Brac Systems

Care for the environment while saving money

Canada has the biggest water supply in the world, yet is predicting it will have water shortages 20 to 25 years down the road.

"The world's supply of fresh water is running out. Already, one person in five has no access to safe drinking water." BBC News

"Two in three people will face water shortages by 2025. People will be forced from their homes to seek water." UNESCO

"Over the next two decades, the average water supply per person will drop by a third, possibly condemning millions of people to an unavoidable premature death." Nature Publishing Group

This problem is all too preventable if we do something NOW.

Brac Systems is dedicated to helping solve this problem so that families worldwide can keep enjoying this basic yet vital resource that we all take for granted.

The Brac water system was developed because home owners all over the world are experiencing water shortages and the problem is only growing. During hot summers, people using wells can run out of water. What can be done? There is only so much water available, but we still need drinking water, water for the shower, the washroom, the laundry, etc. This is why we developed a system that would recycle the water from the shower, bath and laundry, by filtering and cleaning it for reuse in your toilet tank. With this solution, we can now reduce water consumption by approximately a third.

Brac Systems is a company built on the responsibility of every single individual who wants to see a change in the environment. We offer a real solution and provide hope, and we are proud to share it with the world. *Without water, there is no life.*

Brac Systems can help you save 30% to 40% on your annual water bill. With these savings, your Brac System pays for itself in a few years. You will also help save the environment, and provide a better future for today's children and their children to come.

Brac Systems

How the Brac system works

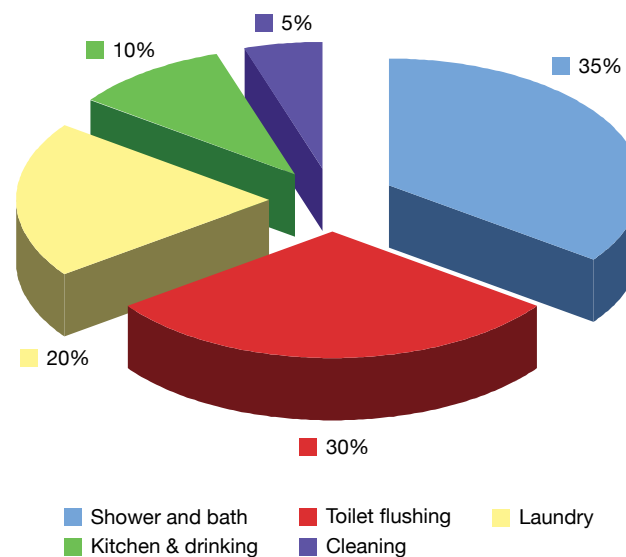
If you take into account that nearly a third of your water (and your water tax money) goes down the toilet, wouldn't it be a good idea to do something about it?

The Brac system is the solution. It is a patented, innovative tank that filters out foreign particles and impurities from your used shower/bath and laundry water and reuses it to flush your toilets. The grey water passes through a 100 micron filter within the Brac tank, and then is stored ready for reuse in your toilet tank. It's like using normal water, but without having to pay again, and while doing something effective for the environment.

Once installed in your home, the Brac system operates seamlessly, so the only difference you will notice is on your water bill.

Brac Systems Statistics

On average, a family of four uses 240,000 litres (63,408 US gallons) of water per year. Well over half of our water is being used to shower, bathe and do the laundry, while nearly a third is being used to flush the toilet. A mere 10% of our home water supply is used in the kitchen and as drinking water.



Source: Stats Canada

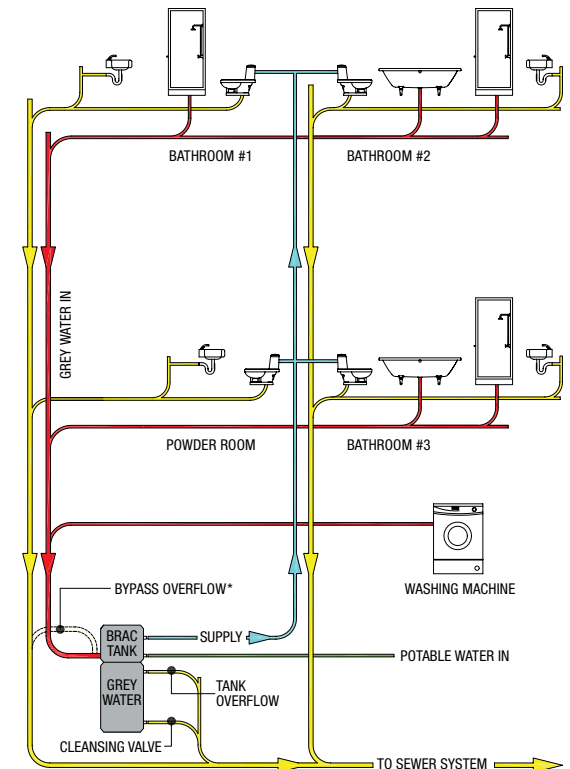
Brac Systems

W-200

The W-200 is the smallest and most affordable of our water systems. This is the perfect solution for homes with five or less people who want to save money on their water bill while helping the environment. The Brac tank measures 60" (152 cm) high by 22" (60 cm) in diameter and weighs approximately 80 lbs.

Included in the Brac system:

- One 200 L (52.85 US gal) tank with shelf and cover – IAPMO Certified (certification number C-4845)
- One ½ h.p. electrical pump with 110/220 V electrical connection
- One ½" valve for draining tank
- One flotation system with connections
- One foot valve
- One filter
- All connections and fittings – factory installed



Brac system plumbing network