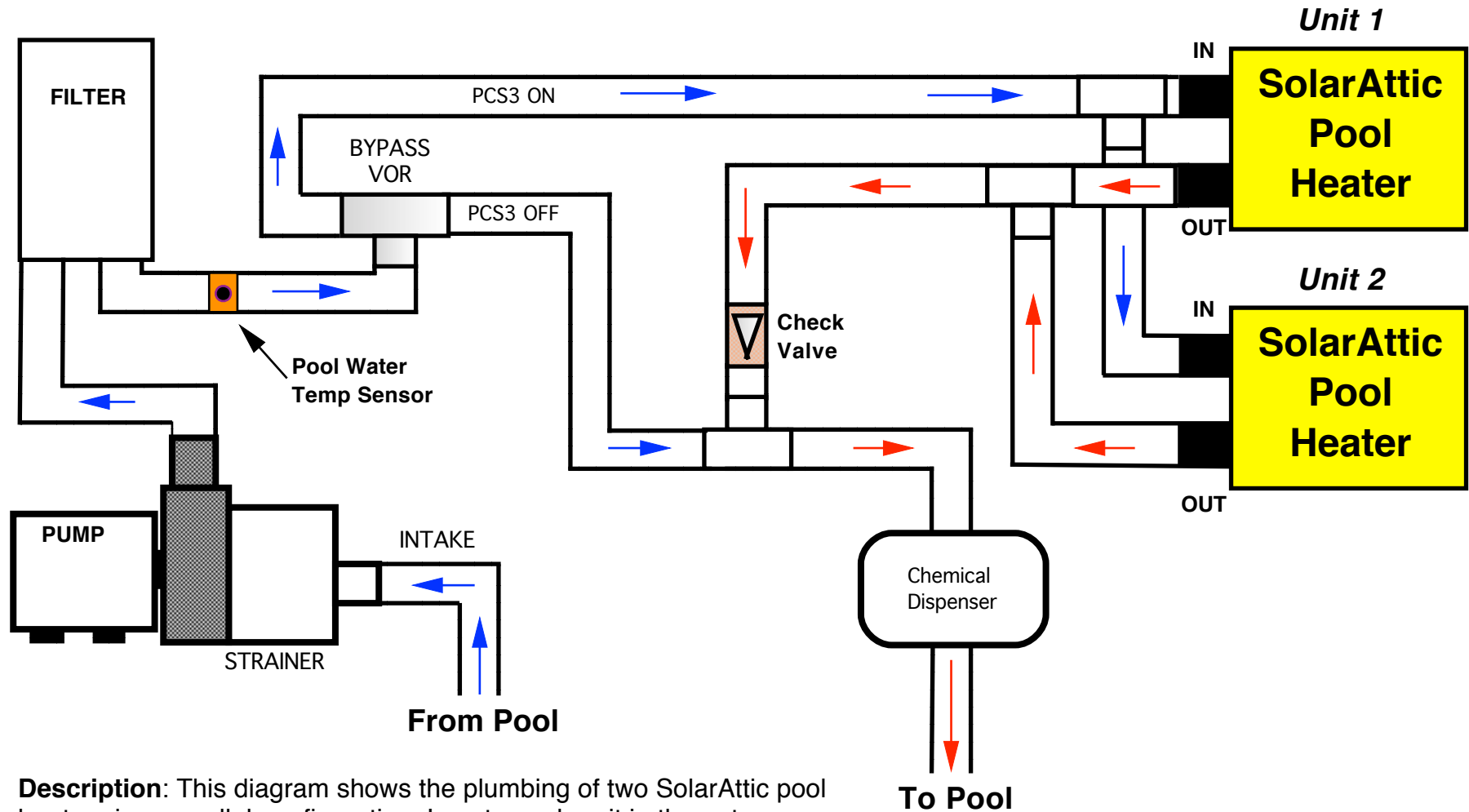


# SolarAttic PLUMBING

## Of Two Parallel Pool Heaters



**Description:** This diagram shows the plumbing of two SolarAttic pool heaters in a parallel configuration. Locate each unit in the outer one third of the attic with the discharge pointing towards the center and at an angle to create a circular airflow pattern in the attic. Appropriate flow control plumbing valves and bypass flow circuits must also be used on large installs to optimize flow at 50 gpm through each unit.