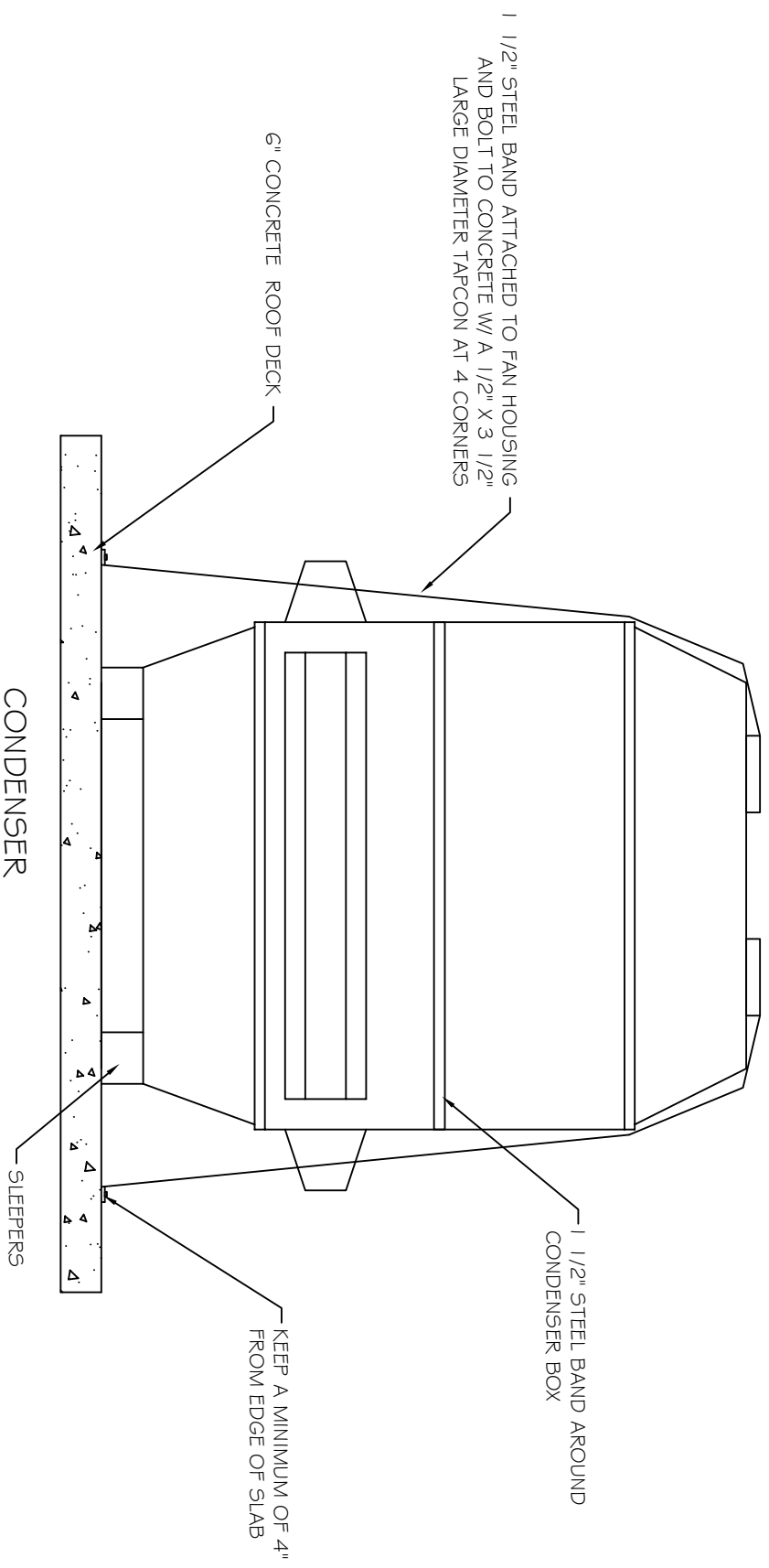


CONDENSER TOP VIEW



CONDENSER

THIS STRUCTURE HAS BEEN DESIGN TO MEET THE WIND LOAD REQUIREMENTS OF SECTION R301-2.1.1 OF THE FLORIDA BUILDING CODE 2007 EDITION - RESIDENTIAL AND ASCE 7-02, WITH 2009 REVISIONS

- 1. BASIC WIND SPEED- 140MPH (@ 3 SEC. GUST)
- 2. WIND IMPORTAN FACTOR 1.0
- 3. WIND EXPOSURE- CATEGORY B

DEMANDBUSTER

REVISIONS

THERMAL FLOW
EQUIPMENT TIE-DOWN

Davis & Cleaton
Engineering, Inc.
601 North Orlando Avenue
Suite 112
Maitland, FL 32751
(407)-539-2553 Lic# 35816

JXR
Construction & Engineering

drawn by J.RODRIGUEZ
checked by J.R.
date 10-10-08
scale 1/2"=1'-0"
job no. ****

drawing no.

S-1