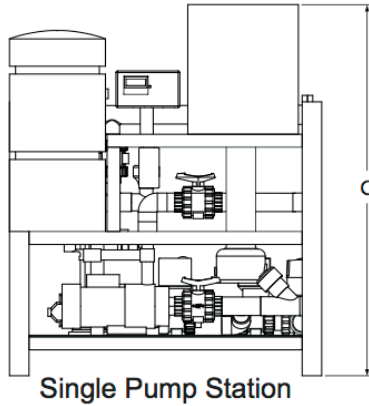
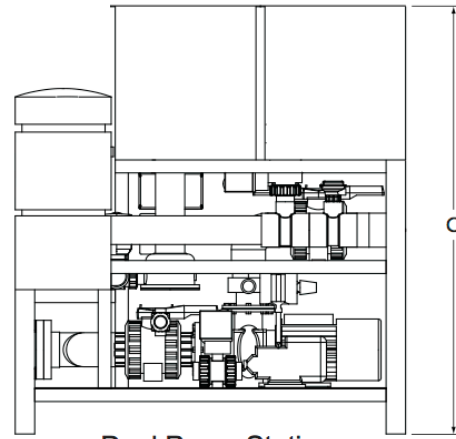


Data Sheet: CGW and RWH Pump Stations



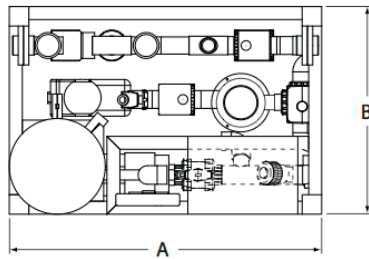
Single Pump Station

Front Views

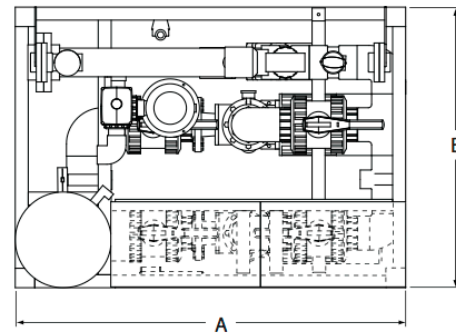


Dual Pump Station

*Two Pumps working in tandem or second pump as backup.



Plan Views



Chlorinator outlet connections 1½" for all pump stations.
Freshwater inlet connection up to 2" maximum for all pump stations.
Drain outlet connection 1" for all pump stations.

Single Pump Model	IC Power (HP)	Pump (HP)	Pressure (PSI)	Greywater Inlet (Inch)	Greywater Outlet (Inch)	Nominal Set Flow (GPM)	A - Length	B - Width	C - Height
8L4T	3	2	56	2"	2"	34	48" (122 cm)	32" (81.25 cm)	57 ½" (146 cm)
8L5T			70						
12L4T	5	3	56	2"	2"	60	48" (122 cm)	32" (81.25 cm)	57 ½" (146 cm)
12L5T			72						
25L5T	10	10	72	3"	3"	118	48" (122 cm)	32" (81.25 cm)	57 ½" (146 cm)
25L6T			85						
50L5T	15	15	72	4"	4"	214	60" (152.5 cm)	32" (81.25 cm)	66 ½" (169 cm)

Double Pump Model	IC Power (HP)	Pump (HP)	Pressure (PSI)	Greywater Inlet (Inch)	Greywater Outlet (Inch)	Nominal Set Flow (GPM)	A - Length	B - Width	C - Height
8L4T x2	3 x2	2 x2	56	2"	2"	68	48" (122 cm)	43 ½" (109.75 cm)	57 ½" (146 cm)
8L5T x2			70						
12L4T x2	5 x2	3 x2	56	2"	2"	120	48" (122 cm)	43 ½" (109.75 cm)	57 ½" (146 cm)
12L5T x2			72						
25L5T x2	10 x2	10 x2	72	3"	3"	236	48" (122 cm)	43 ½" (109.75 cm)	57 ½" (146 cm)
25L6T x2			85						
50L5T x2	15 x2	15 x2	72	4"	4"	428	60" (152.5 cm)	43 ½" (109.75 cm)	66 ½" (169 cm)

The content of this Data Sheet is based upon the latest information available at the time of printing and is aimed at providing a general introduction to Greyster Systems Inc. products. No warranty or representation is hereby made by Greyster Systems Inc. as to the accuracy of said information. Greyster Systems Inc. is continually updating and improving its products and reserves the right to amend, discontinue, alter or change specifications and prices without prior notice.