

EDS and PS-010 Dimming

Product Description

The EDS is a class 2, adjustable, photodiode based, indoor dimming controller used to dim up to fifty 1-10VDC fluorescent dimming ballasts similar to the Advance Mark VII. The device is connected across the purple and grey control wires of the ballasts, and receives its power from the 10VDC provided by the ballasts.

The PS-010 is a combination on/off wall switch and slide dimmer used for 1-10VDC fluorescent dimming ballasts similar to the Advance Mark VII. When used as a stand-alone device, the device provides flicker free dimming of between 100% and 5% of lamp output. It also provides a selection of 120VAC or 277VAC in either a single-pole or 3-way devices. Current limit is 8.5 amps at 120VAC and 3.7 amps at 277VAC (approximately 1,000 watts).

When used together, the EDS sensor will provide a maximum limit, or cap to the high end of light output based on ambient light monitored. The PS-010 then allows manual dimming for lights in the room when lower light levels are desired. **NOTE:** When using the PS-010 and the EDS controller together, please use the PS-010 ratings.



Technical Information

EDS

Accuracy	+/- 1% at 70°F (21°C)
Operating temperature	-13°F to 140°F
Sensor type	Blue-enhanced Photodiode
Adjustment range	10-140 FC
Input Voltage	10VDC (supplied by ballast)
Output Voltage	1VDC as measured by voltmeter (Minimum lamp output) 10VDC as measured by voltmeter (Maximum lamp output)
Wire leads	22 gauge Grey and Violet to dimming ballast Blue and black not used White /Green cut loop to change dimming delay from 8 seconds to 3 seconds. (8 seconds recommended)

PS-010

Accuracy	Continuous, flicker-free control from 100% to 5%
Power rating	120VAC 8.5 amps 277VAC 3.7 amps
Dimming input	10VDC (from Ballast)
Dimming output	0VDC as measured by voltmeter (Minimum lamp output) 10VDC as measured by voltmeter (Maximum lamp output)

Distributed by:

Eco-\$mart, Inc.

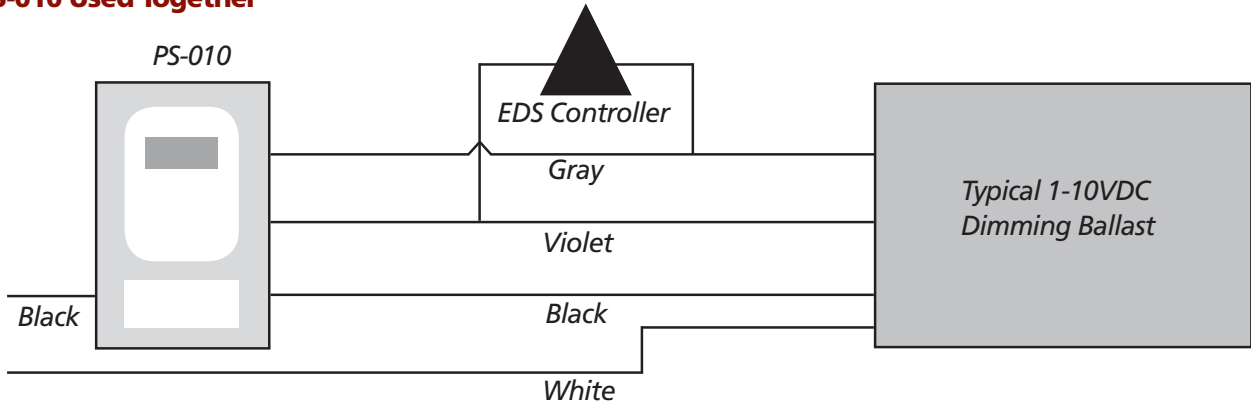
TOLL FREE: (888)329-2705

FAX: (941)377-9460

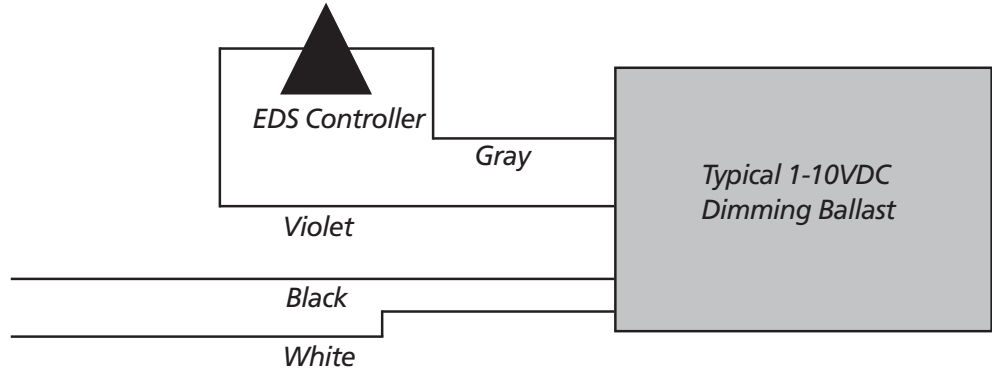
info@eco-smart.com

www.eco-smart.com

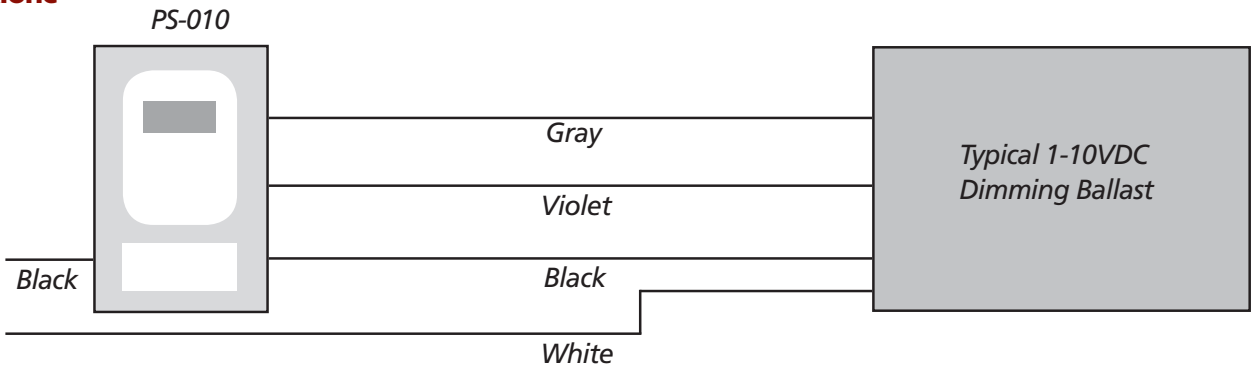
EDS & PS-010 Used Together



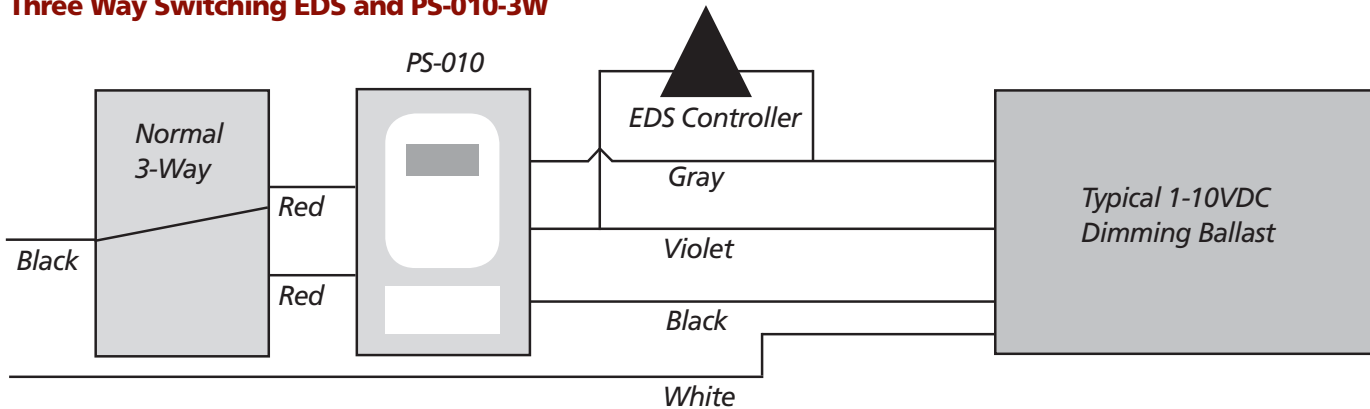
EDS Used Alone



PS-010 Alone



Three Way Switching EDS and PS-010-3W



Distributed by:

Eco-Smart, Inc.

TOLL FREE: (888)329-2705

FAX: (941)377-9460

info@eco-smart.com

www.eco-smart.com

