

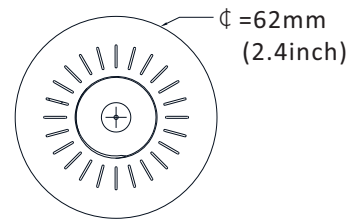
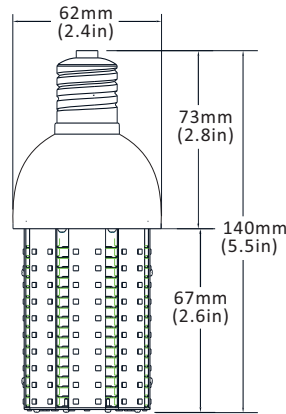
LED Corn Light 12W

Item No. : CL-12W



Mechanical Specification

E27 Medium base



Product Features

- Beam angle: 360 degrees
- Aluminum heat dissipation system
- Universal AC input / Full range(UP to 295VAC)
- Protections: Short circuit / Over current
- Wide colour availability in degrees Kelvin(K),2700-6700K
- It's major to replace the CFL with screwed lamp base directly

Applications

- Indoor lighting.
- Conference / Meeting rooms/ Commercial Complexes
- Residential / Institution Buildings/ Schools, Colleges / Universities
- Places where need energy saving and high color rendering index lighting



LED Corn Light 12W

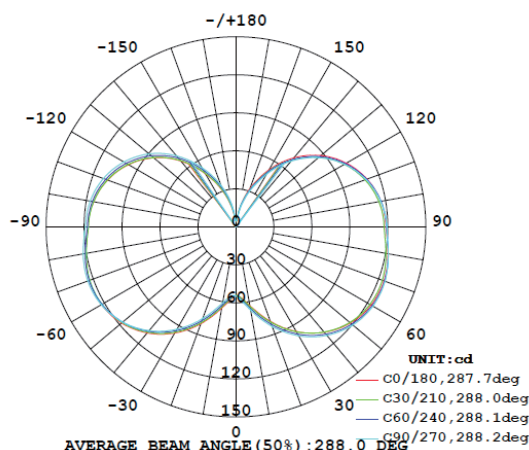
Item No. : CL-12W

Technical Specifications

Rated Power	12W
Input Voltage	100-295VAC / 50-60Hz
Input Current	0.11A / 115VAC ; 0.06A / 230VAC ; 0.05A / 277VAC
Power Factor	PF>0.98 / 115VAC ; PF>0.92 / 230VAC ; PF>0.9 / 277VAC
Power Efficiency	>88%
Beam Angle	360°
Light Source/Count	105pcs 2835 SMD LED / Epistar Chip 10*30mil
Lamp Base	E27 / E26
LED Luminous Efficiency	>120lm/w
Luminous Flux	1500 lm ±10%
Color Temperature Standard	Warm White: 2,700 ~3,500 K
	Natural White: 4,000~4,500 K
	Cool White: 5,500~6,700K
Color Rendering Index(CRI)	Ra > 80
LED Emitter Life	50,000hours
Replacement	25W-35W Compact Fluorescent Lamp
Working Environment	Indoor lighting
Operating Temperature	-40 ~ 45°C
The Dimensions	∅ 62*140mm / ∅ 2.4*5.5inch
N. W	0.15kg
Packing	1pc/Box
Packing Size (L*W*H)	6.6 * 6.6 * 18.2 cm

Luminous Intensity Distribution Diagram

Notes: testing without lampshade



LED Corn Light 12W

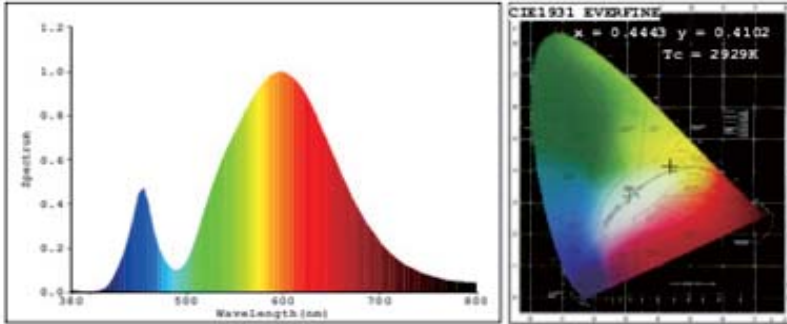
Item No. : CL-12W

■ CCT & Light lighting effect diagram

Light Characteristics

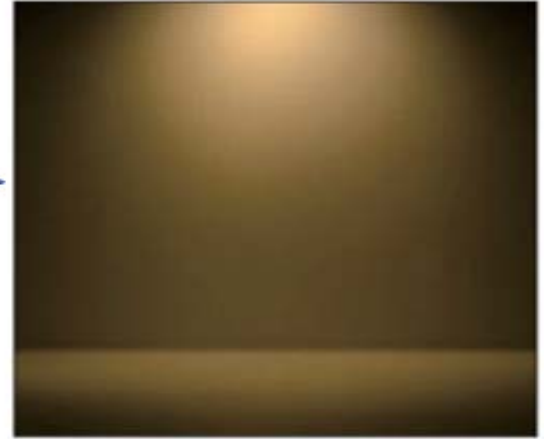
Light lighting effect diagram

CCT:3000K(WW)

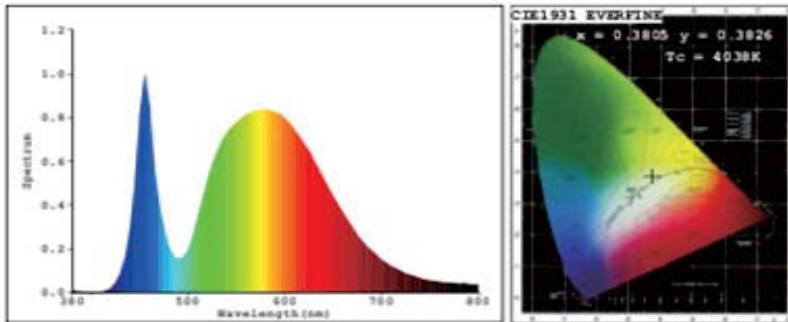


Color Parameters:

Chromaticity Coordinate: $x=0.4443$ $y=0.4102$ / $u'=0.2527$ $v'=0.5249$
Tc=2929K Dominant WL:Ld=582.6nm Purity=56.5% Centroid WL:593.0nm
Ratio:R=23.7% G=74.8% B=1.5% Peak WL:Lp=595.0nm HWL:135.7nm



CCT:4000K(NW)

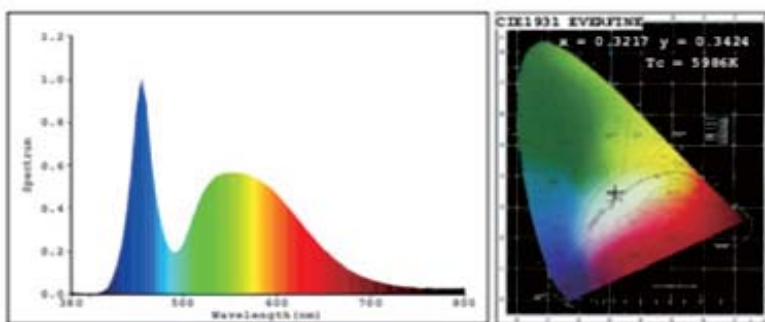


Color Parameters:

Chromaticity Coordinate: $x=0.3805$ $y=0.3826$ / $u'=0.2229$ $v'=0.5041$
Tc=4038K Dominant WL:Ld=577.5nm Purity=29.0% Centroid WL:572.0nm
Ratio:R=18.5% G=78.8% B=2.8% Peak WL:Lp=455.0nm HWL:22.3nm



CCT:5800K(CW)



Color Parameters:

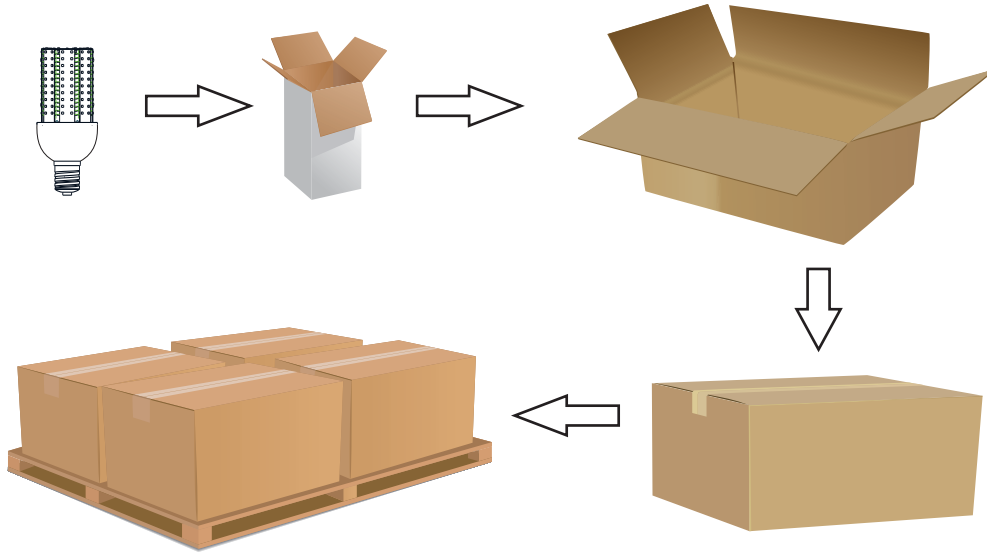
Chromaticity Coordinate: $x=0.3217$ $y=0.3424$ / $u'=0.1990$ $v'=0.4766$
Tc=5986K Dominant WL:Ld=502.1nm Purity=3.5% Centroid WL:547.0nm
Ratio:R=14.3% G=81.2% B=4.5% Peak WL:Lp=455.0nm HWL:26.2nm



LED Corn Light 12W

Item No. : CL-12W

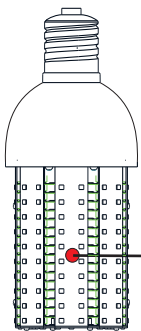
Package



Packaging unit	Dimensions (L * W * H)	Gross weight
1pc / Box	66*66*182mm	0.23kg
96pcs / Carton	660*400*290mm	22kg

Environment

Body Temperature



Ta=25°C
 Tc. Max: 50°C

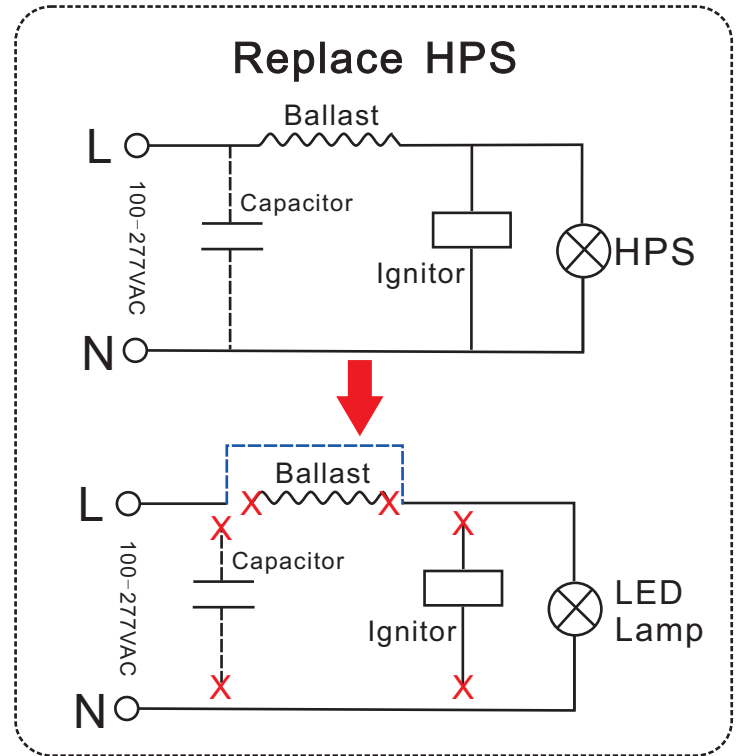
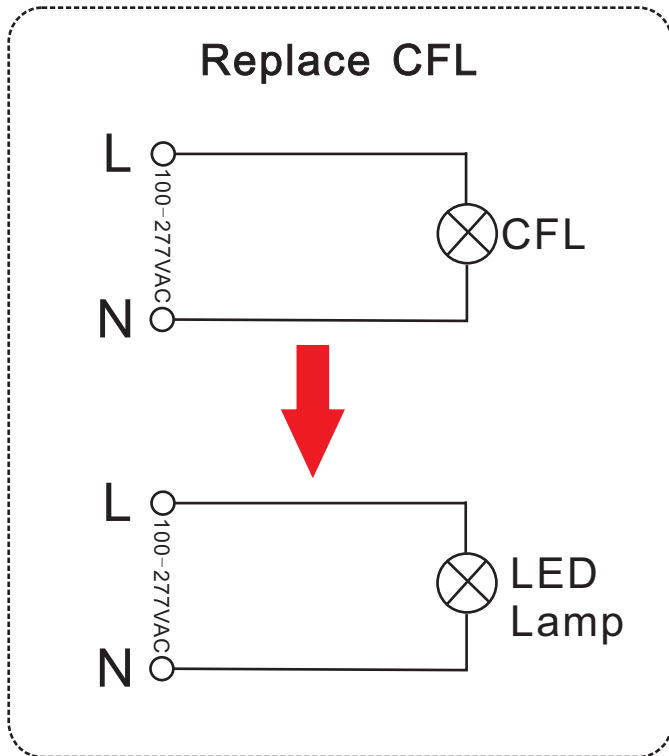
Working Temp.	-20 ~ 45°C
Working Humidity	<80% RH, (non-condensing)
Storage Temp., Humidity	-40 ~ 55°C, <90% RH

Notes: testing without enclosed fixtures

LED Corn Light 12W

Item No. : CL-12W

Installation

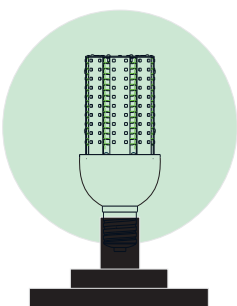


Notes:

- Don't take the LED lamp apart
- Recommend indoor use
- The LED lamp must work under the right voltage according to the specification
- **Not suitable for dimmers or electronic switches or remote controls**
- Application in enclosed fixtures may speed up lumen depreciation and shorten lamp life

Cautions

When the products are used in the **enclosed fixtures**. Pay attention to the size of the confined space and keep well ventilated. Ensure the lamp has enough space for heat dissipation which ensures lumen maintenance and extends its working life.



When 12W led corn light is used in confined space, the fixture's diameter must be more than **15cm**.