

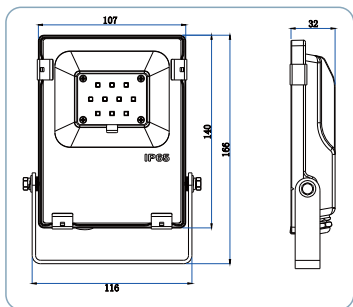
LED Flood light

FDL-

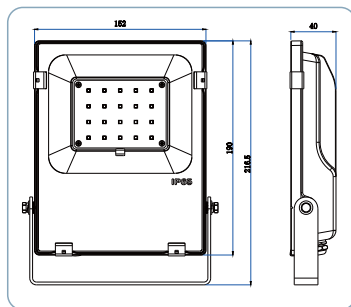
This LED light is widely used for outdoor lighting, like square, bridge, places where need energy saving and high color rendering index lighting.



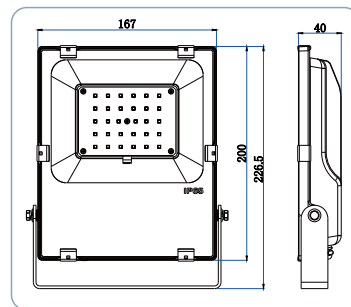
Dimension (mm)



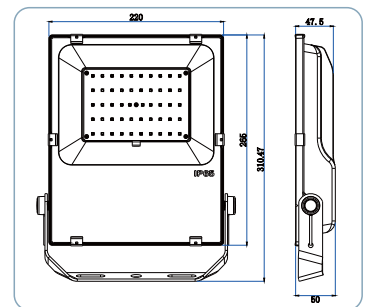
10W



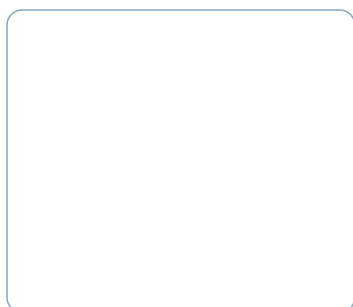
20W



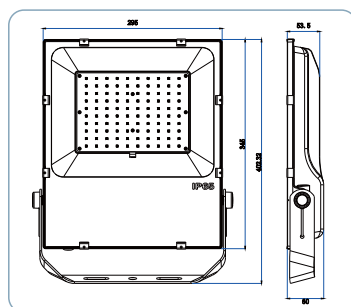
30W



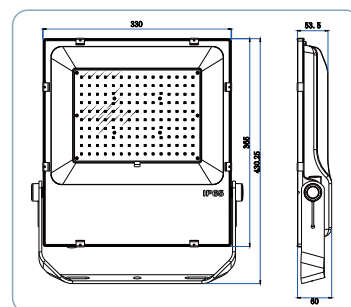
50W



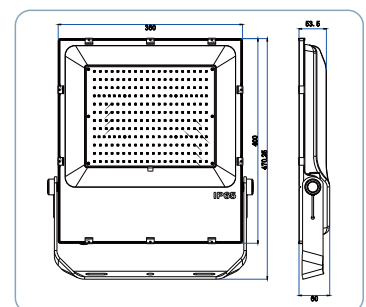
70W



100W



150W



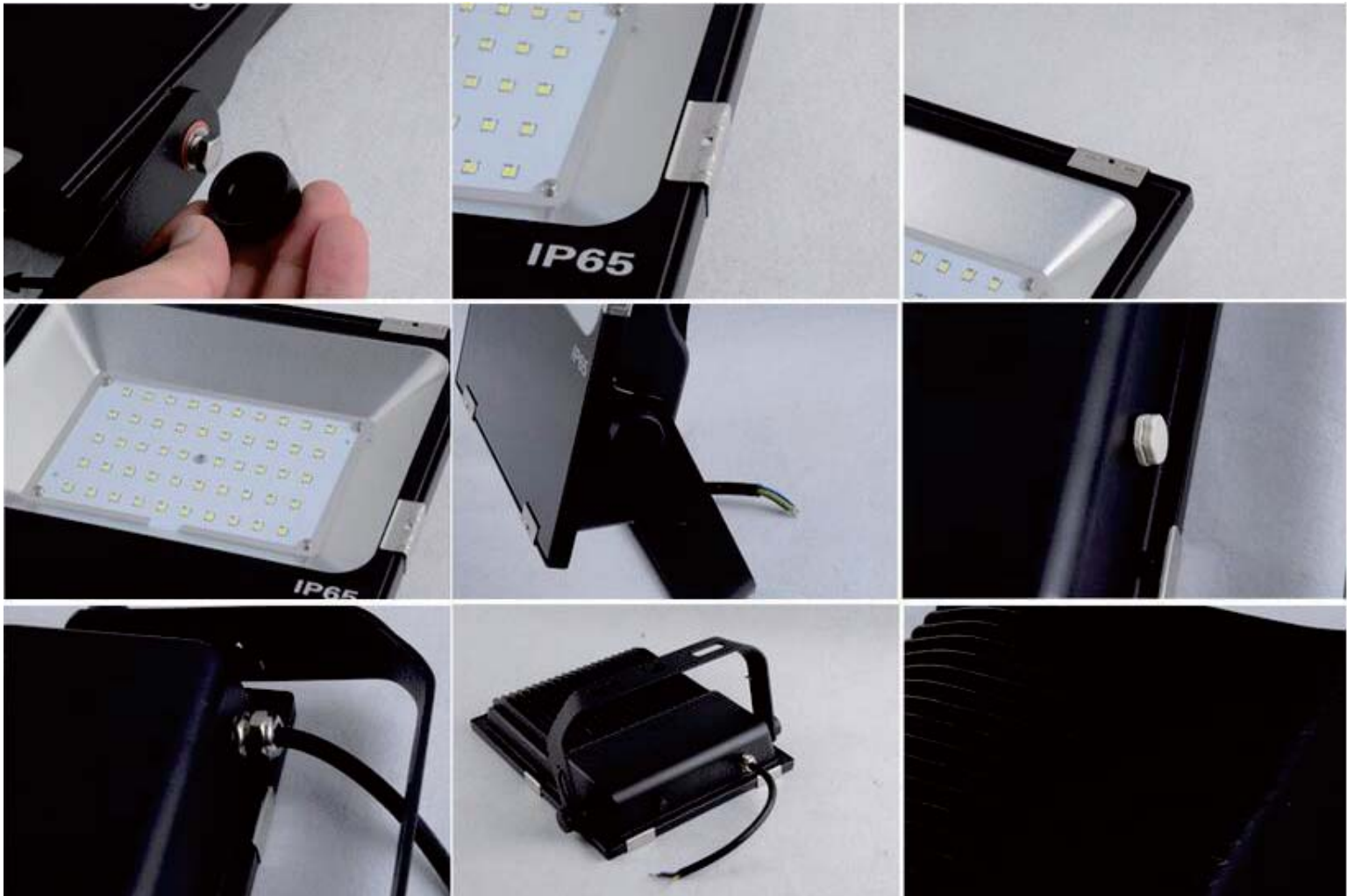
200W

LM78-80
TM-21



Product feature

- Beam angle: 120 degrees
- Aluminum alloy housing processed with anodization, solid in structure and withstand the corrosion
- Universal AC input / Full range 100-277VAC
- Protections: Short circuit / Over current/ Over temperature
- Wide colour availability in degrees Kelvin(K)
- Easy installation, adjustable stand lets you point the light at different angles
- Protection rate:IP65



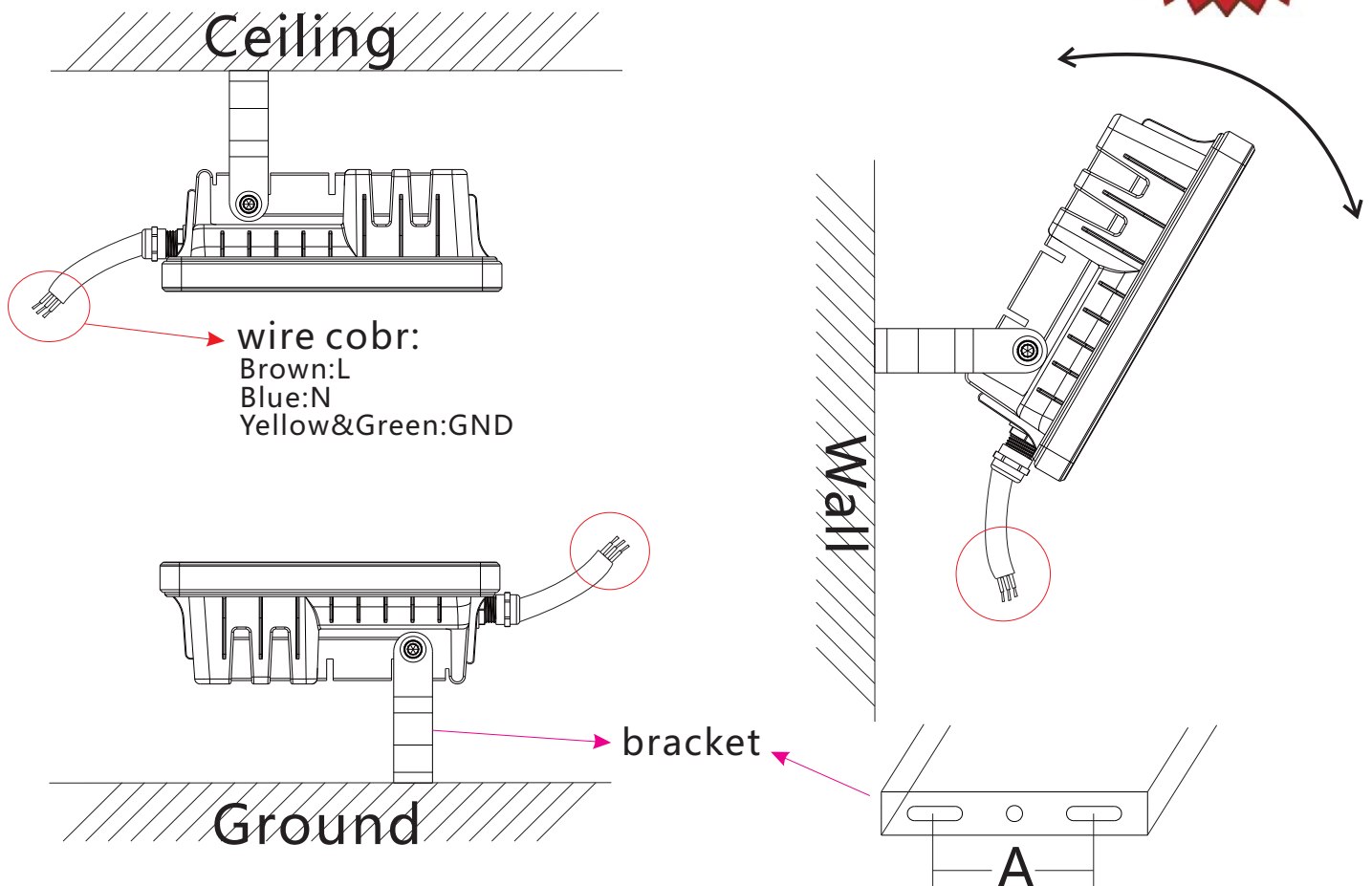
Specification data

Item No.	Rated Power	Input Voltage	Power Factor	Replacement	Luminous Flux	CRI
FDL-10W	10W	100-277VAC	PF>0.95	18-30W CFL, HID	1,200lm	Ra>83
FDL-20W	20W	100-277VAC	PF>0.95	50-75w CFL, HPS	2,400lm	Ra>83
FDL-30W	30W	100-277VAC	PF>0.95	75-105w CFL, HPS	3,600lm	Ra>83
FDL-50W	50W	100-277VAC	PF>0.95	105-150w MH, HPS	6,000lm	Ra>83
FDL-100W	100W	100-277VAC	PF>0.95	250-300w MH, HPS	12,000lm	Ra>83
FDL-150W	150W	100-277VAC	PF>0.95	300-400w MH, HPS	18,000lm	Ra>83
FDL-200W	200W	100-277VAC	PF>0.95	500-750w MH, HPS	24,000lm	Ra>83

- Color temperature: 3000k, 4000k, 4500k, 5000k, 5700k, 6500k
- Life time: >50,000 hours
- Warranty: 5 years factory warranty



Installation



Notes:

- Don't take the LED lamp apart
- The LED lamp must work under the right voltage according to the specification
- **Not suitable for dimmers or electronic switches or remote controls**
- **Application in enclosed fixtures may speed up lumen depreciation and shorten lamp life**