

E39/E26 LED Retrofit Kit



RK-

This LED Retrofit Kit is tailored to replace MH, HPS, HID lamp etc., for Cobra head street lighting, parking lot shoe box fixture.



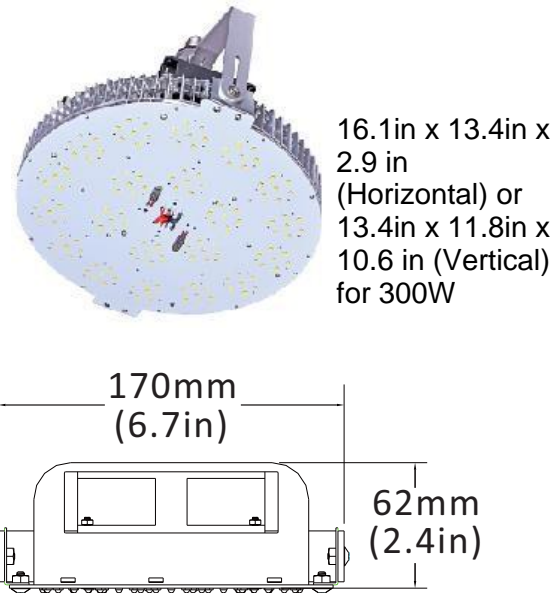
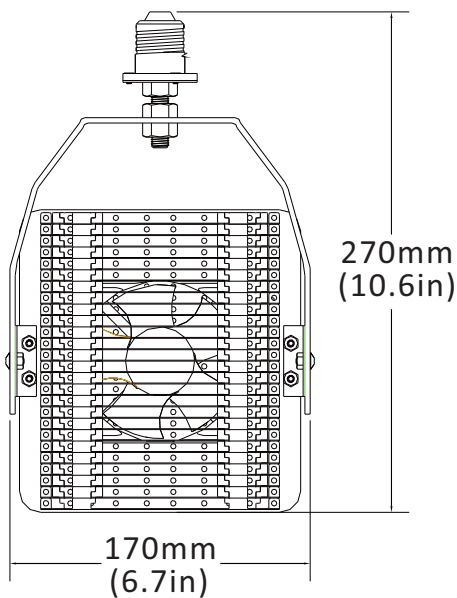
Osram LED
>120lm/w

93% purity
Aluminum fins heat sink

Sunon brand Fan
ball bearing

Meanwell driver
HLG

Dimension



LM78-80
TM-21



Why us?



Our retrofit kit 80-300w, by improving the heat sink thermal function and the driver performance, we can save more energy with reliable quality.

Would you like to save more money



From our 5 years experience, many clients has problem with these Retrofit kit in the current market, most failures can be bolt down to heat problem or driver problem. However, we are making the change to improve. It's credit!



Temperature control protection

Fan protection

Osram LED

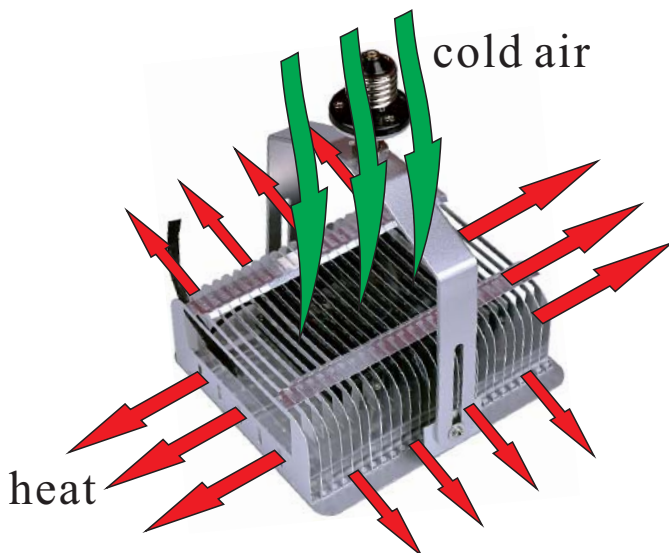
Fins Aluminum heat sinks

Heat transfer coefficient 250W/m.K
Lighter weight, Larger cooling area.

Aluminum copper clad laminates

high thermal conductivity--- 2.0

cold air



Specification data

Item No.	Rated Power	Input Voltage	Power Factor	Replacement	Luminous Flux	CRI
RK-80W	80W	100-277VAC	PF>0.95	275-300W HID, CFL	10,400lm	Ra>83
RK-100W	100W	100-277VAC	PF>0.95	350-400w MH, HPS	13,000lm	Ra>83
RK-120W	120W	100-277VAC	PF>0.95	400-450w MH, HPS	15,600lm	Ra>83
RK-150W	150W	100-277VAC	PF>0.95	450-500w MH, HPS	19,500lm	Ra>83

- Color temperature: 3000k, 4000k, 4500k, 5000k, 5700k, 6500k, Amber (Turtle Friendly, UL Only)
Life time: >50,000 hours
- Warranty: 5 years factory warranty



Applications

This retrofit LED can be used for all types of fixtures including High Bay, Shoe Box, Cobra Head, Wall Pack - including enclosed applications.



Please remove any ballast or capacitor parts before doing the retrofiting.