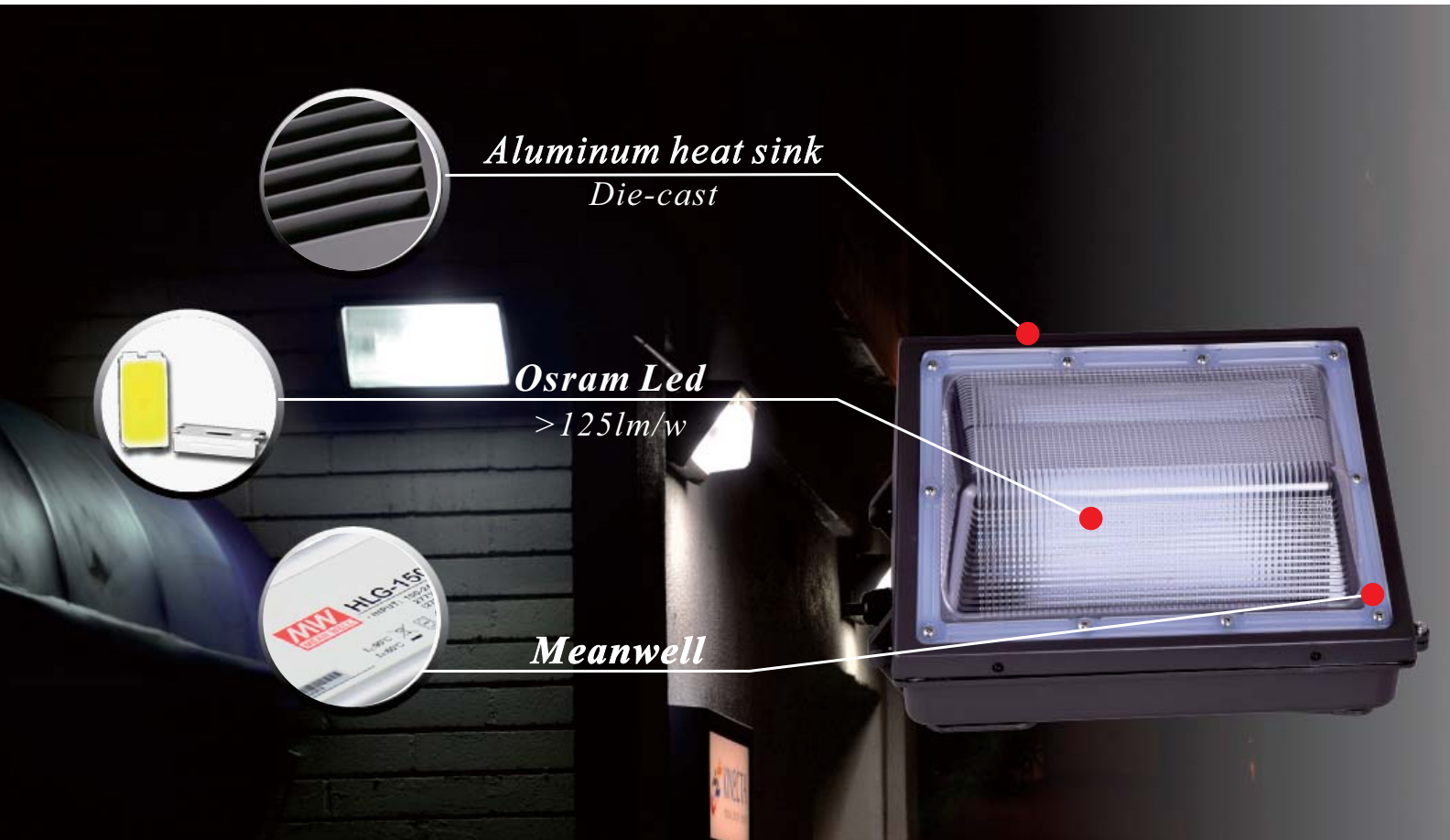


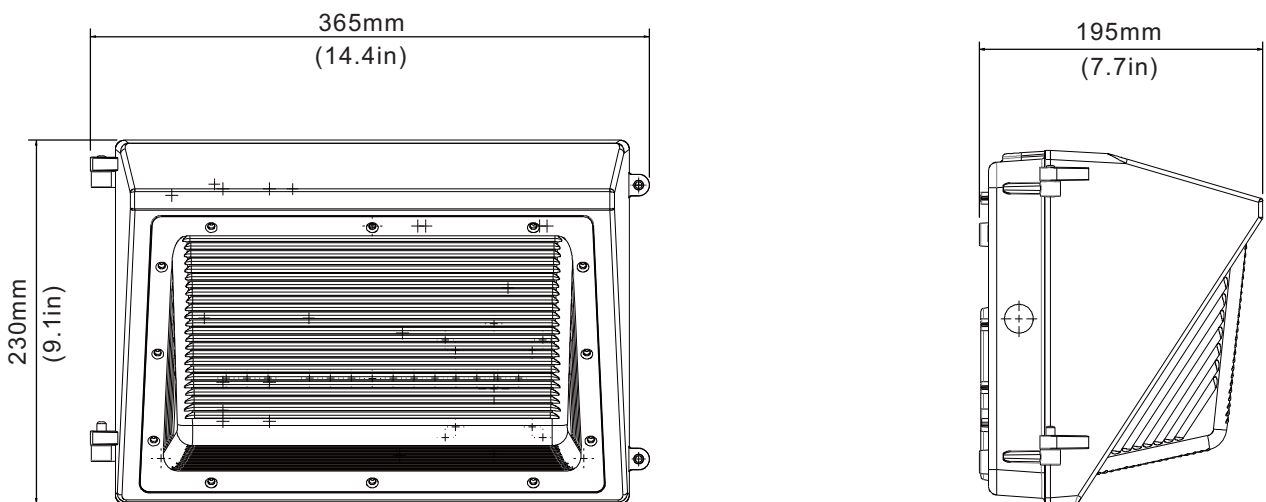
# LED Wallpack light

WP-

This LED light is widely used for wall mount lighting, and other places where need energy saving and high color rendering index lighting.



## Dimension



LM79-80  
TM-21



## Product feature

- Aluminum alloy housing processed with anodization, solid in structure and withstand the corrosion
- Universal AC input / Full range 100-277VAC
- Protections: Short circuit / Over current/ Over temperature
- Wide colour availability in degrees Kelvin(K)
- Easy installation
- Protection rate:IP65

### UV resistant high quality PC lens

1. Patent unique design.
2. Meet DLC Premium 4.0 lighting requirement, NO need extra cover or shield.
3. Light-weight than traditional glass cover.
4. Shatterproof.
5. Better waterproof performance.
6. UV resistant, NO NEED TO WORRY DISCOLOR.



### Various Options

1. Available with 0-10v Dimmable driver.
2. Photocell, Motion sensor etc.

### Die-cast aluminum fixture

1. Patent unique design.
2. Less weight.
3. Better heat dissipation, no need additional heat sink.
4. Conduit entrances on back, side and bottom.



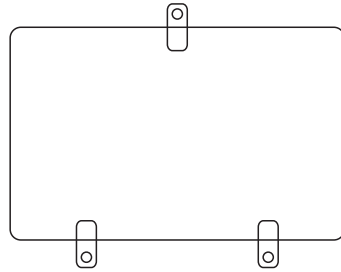
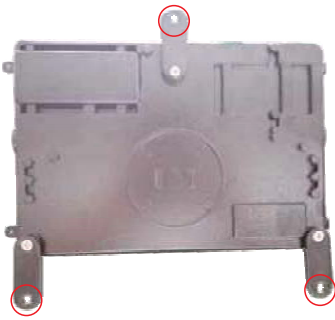
# Specification data

Item No.	Rated Power	Input Voltage	Power Factor	Replacement	Luminous Flux	CRI
WP-40W	40W	100-277VAC	PF>0.95	105-175w MH, HPS	5,000lm	Ra>83
WP-60W	60W	100-277VAC	PF>0.95	175-225w MH, HPS	7,500lm	Ra>83
WP-80W	80W	100-277VAC	PF>0.95	200-250w MH, HPS	10,000lm	Ra>83

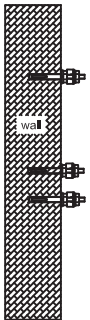
- Color temperature: 3000k, 4000k, 4500k, 5000k, 5700k, 6500k
- Life time: >50,000 hours
- Warranty: 5 years factory warranty



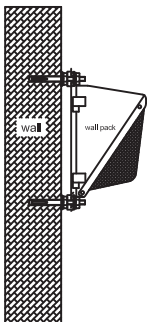
# Installation



According to the module screw hole size play hole location on the wall.



Into the fixed screw on the hole location.



Install the Wall pack and fixed.

Connect the input cable. (In the case of power cuts, Joint need waterproof.)

Installation completed.

## Notes:

- Don't take the LED lamp apart
- The LED lamp must work under the right voltage according to the specification
- **Not suitable for dimmers or electronic switches or remote controls**
- **Application in enclosed fixtures may speed up lumen depreciation and shorten lamp life**