

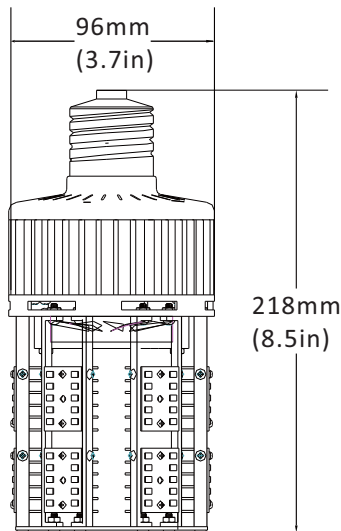
LED Transformer Corn Bulb

TF-

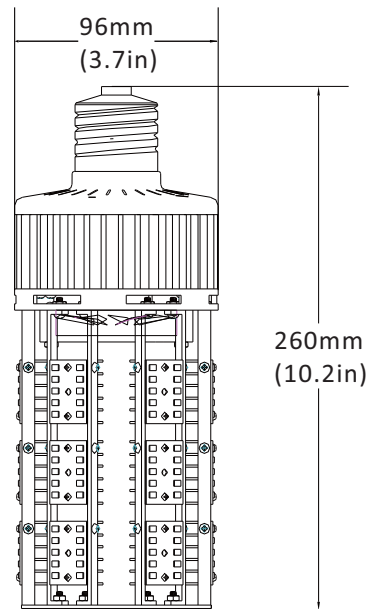
This LED bulb is tailored to replace MH,HPS,HID,CFL lamp etc., for all outdoor and indoor fixture (no matter the base is up or down).



Dimension



30-40W

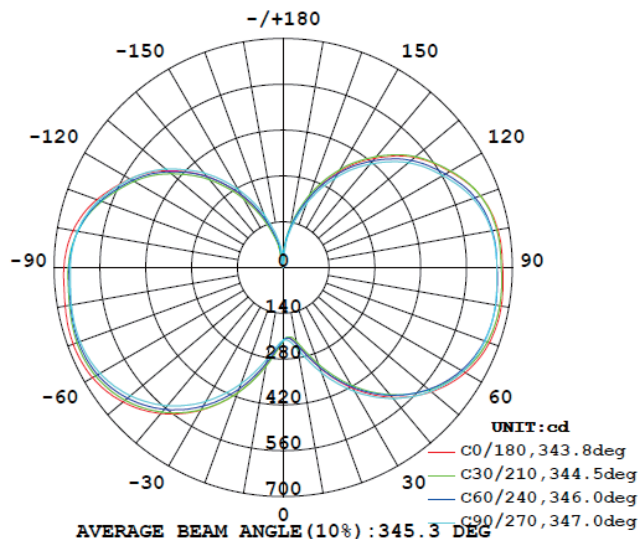
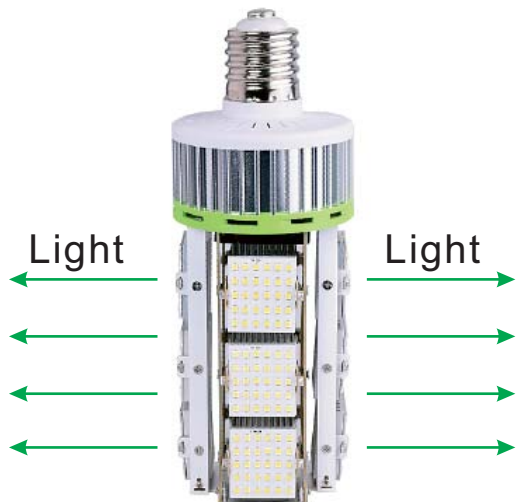


50W-60w

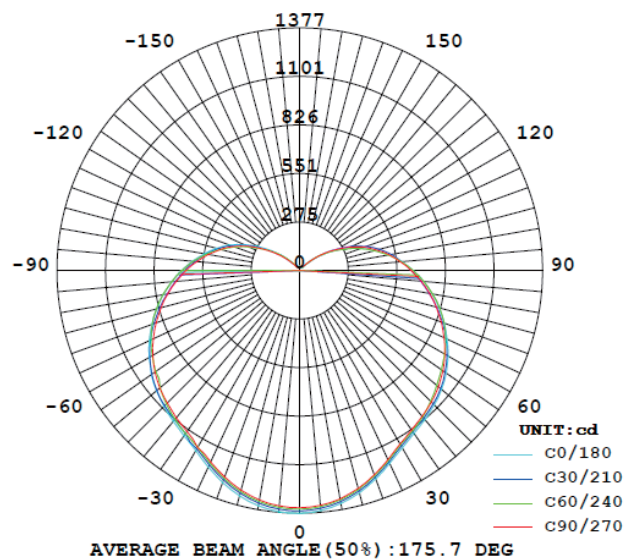
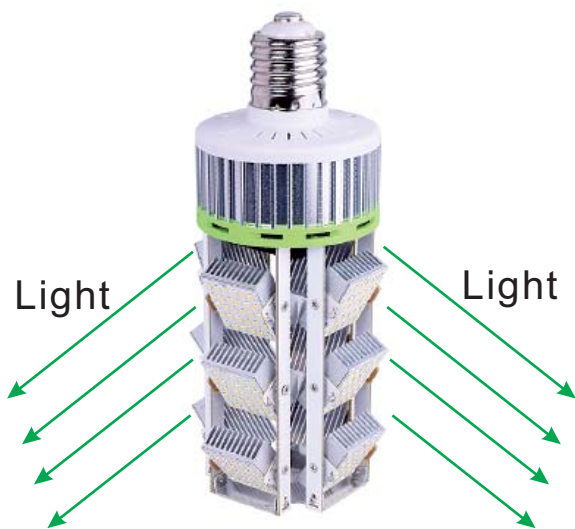
Lighting Efficiency

While use the lamp for Vertical installation, you can adjust any beam angle that you need.

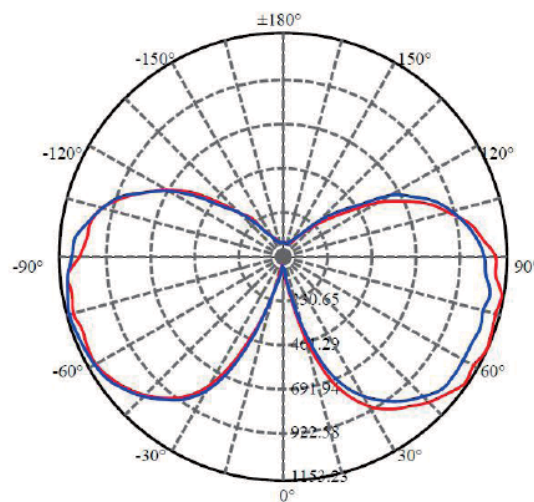
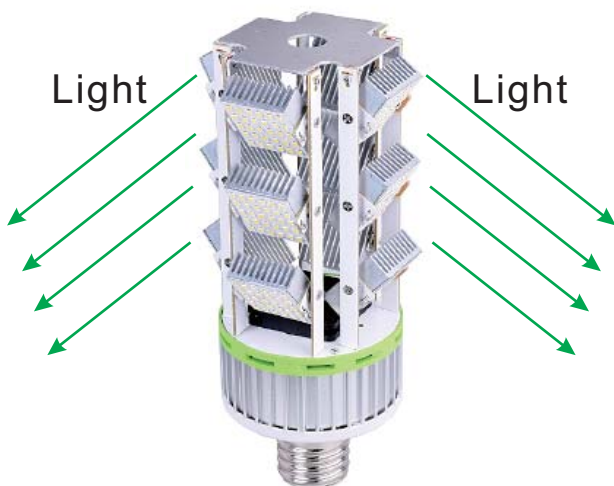
Section I:



Section II [Base up]:



Section III [Base down]:



Specification data

Item No.	Watts	Power Factor	Luminous Flux (135lm/w)	Luminous Flux (170lm/w)	Replacement	CRI
TF-30W	30W	PF>0.95	4,050lm	5,100lm	75-105w MH, HPS	Ra>83
TF-40W	40W	PF>0.95	5,400lm	6,800lm	125-150w MH, HPS	Ra>83
TF-50W	50W	PF>0.95	6,750lm	8,500lm	175-225w MH, HPS	Ra>83
TF-60W	60W	PF>0.95	8,100lm	10,200lm	225-250w MH, HPS	Ra>83

- 135lm/w or 170lm/w
- Universal AC input 100-277Vac, 200-480Vac is available.
- Warranty: 5 years factory warranty
- Life time: >50,000 hours
- Color temperature: 2200K, 2700K, 3000k, 4000k, 4500k, 5000k, 5700k, 6500k



- **Aluminum driver holder,** provide radiant cooling allowing the driver to bleed off generated waste heat.
- **Sealing glue,** improve the efficiency of heat transfer.
- **Driver with multiple protection,**
 1. 4KV surge protection.
 2. Temperature protection.

When the temperature reaches 90°C, lamp power is reduced, to ensure key components including the LEDs are not overheated.



Fins heat sinks,
Our engineers created heat sinks to optimize the radiation surface while maintaining a compact design.



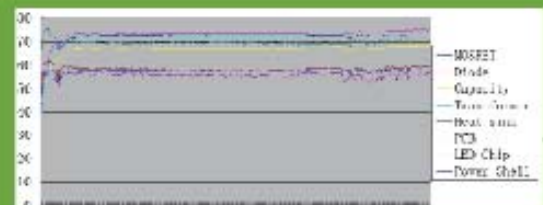
Samsung led chip
(170lm/w)



- 20-80 Watt
- 125 or 150lm/w
- Clear / milky / without cover



Excellent heat dissipation by Chimney test



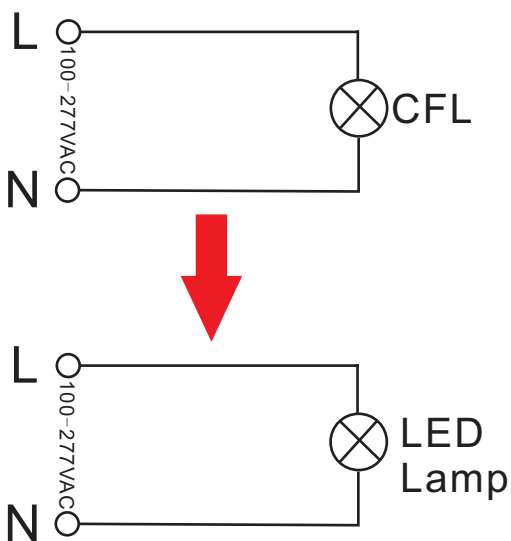
Temperature for 60w work in Post top fixture

Applications

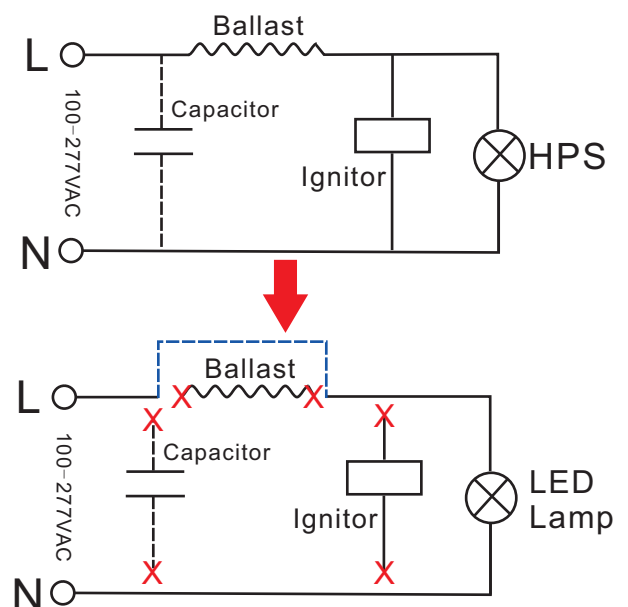
This LED bulb can be applied for all different Canopy fixtures, high bay, low bay fixtures, pole lighting fixture to replace MH HPS HID lamp.



Replace CFL



Replace HPS



Please remove any ballast or capacitor parts before doing the retrofiting.